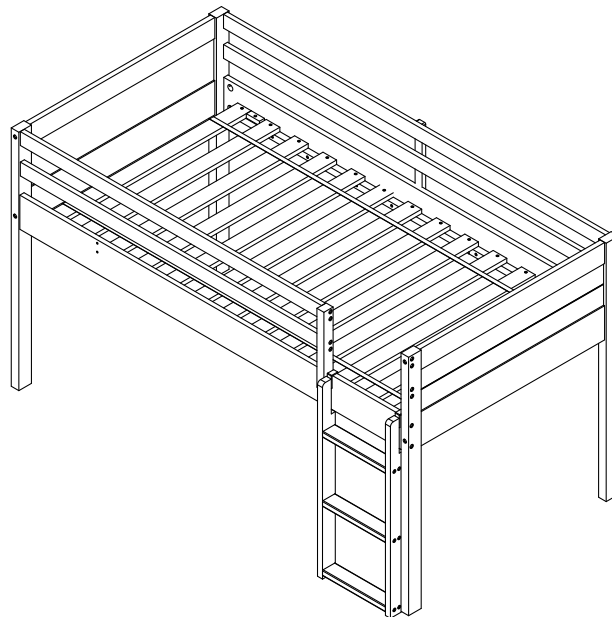


Loft Twin Bed Complete with Ladder on the left



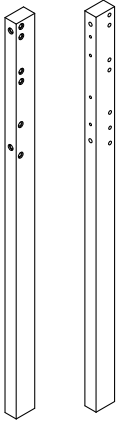
Loft Twin Bed Complete with Ladder on the right

IMPORTANT! Please keep these instructions for future reference. Please read these instructions before assembly and use of this product.

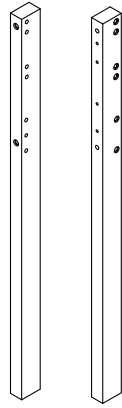
- Adult assembly is required.
- Allen wrench (included) required for assembly.
- Product features and decorations may vary from illustrations.
- Do not use power drills or drivers.
- Phillips Head Screwdriver (Not included) required for assembly

Bulletin NO.: 147642-00-CA-EN

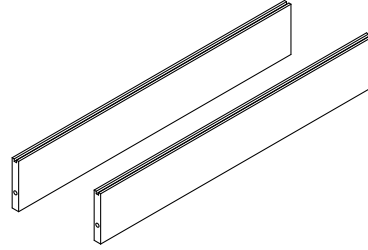
Part List



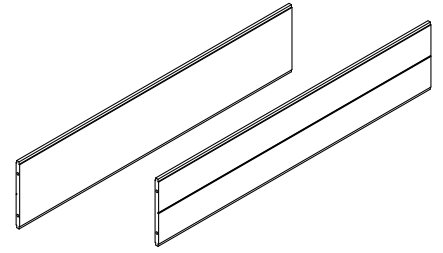
A1: Post 1 x2pcs



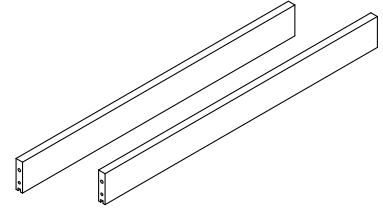
A2: Post 2 x2pcs



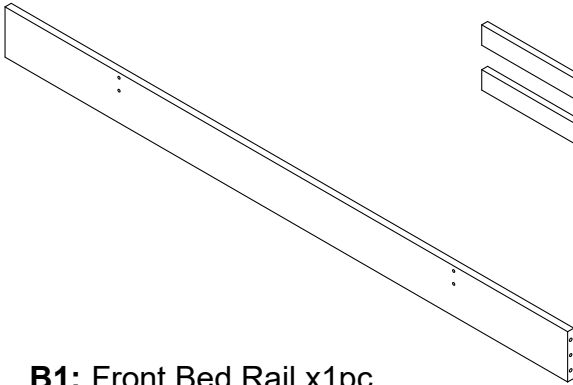
A3: Headboard
Bottom Rail x2pcs



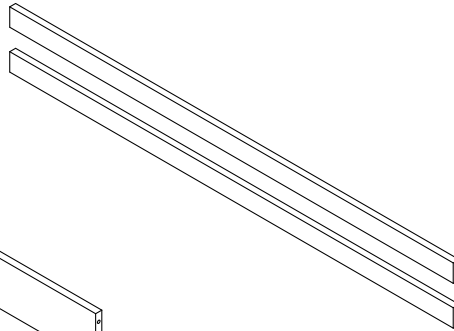
A4: Headboard Middle Panel x2pcs



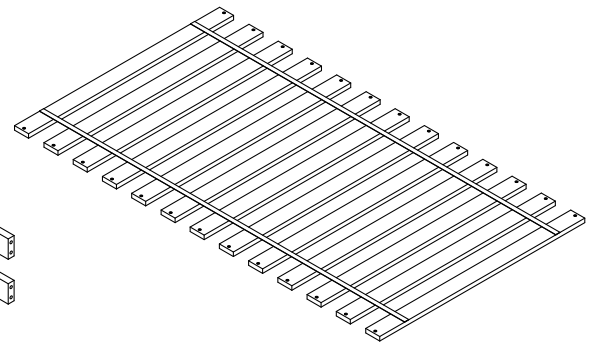
A5: Headboard Top Rail x2pcs



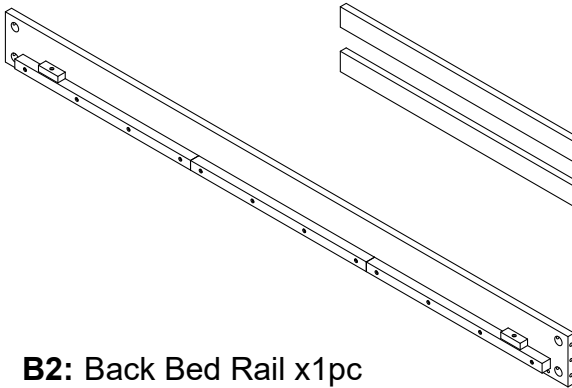
B1: Front Bed Rail x1pc



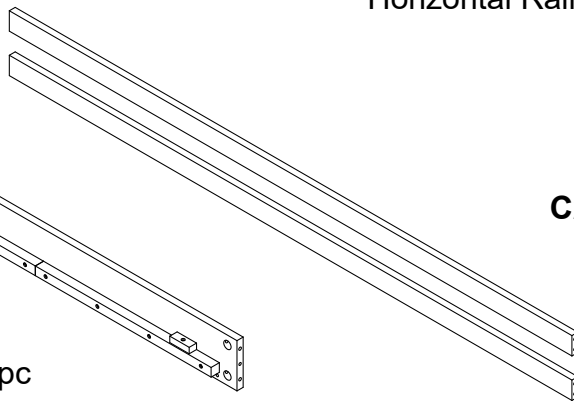
C1: Front
Horizontal Rail x2pcs



D: Slats Roll x1Set



B2: Back Bed Rail x1pc



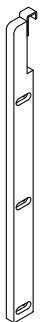
C3: Back
Horizontal Rail x2pcs



C2: Front
Vertical Rail x1pc



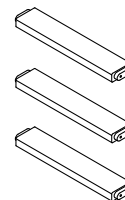
C4: Back
Vertical Rail x1pc



E1: Ladder Left Post x1pc



E2: Ladder Right Post x1pc



E3: Ladder Step x3pcs

Part List

A1: Post 1 x2pcs

A2: Post 2 x2pcs

A3: Headboard Bottom Rail x2pcs

A4: Headboard Middle Panel x2pcs

A5: Headboard Top Rail x2pcs

B1: Front Bed Rail x1pc

B2: Back Bed Rail x1pc

C1: Front Horizontal Rail x2pcs

C2: Front Vertical Rail x1pc

C3: Back Horizontal Rail x2pcs

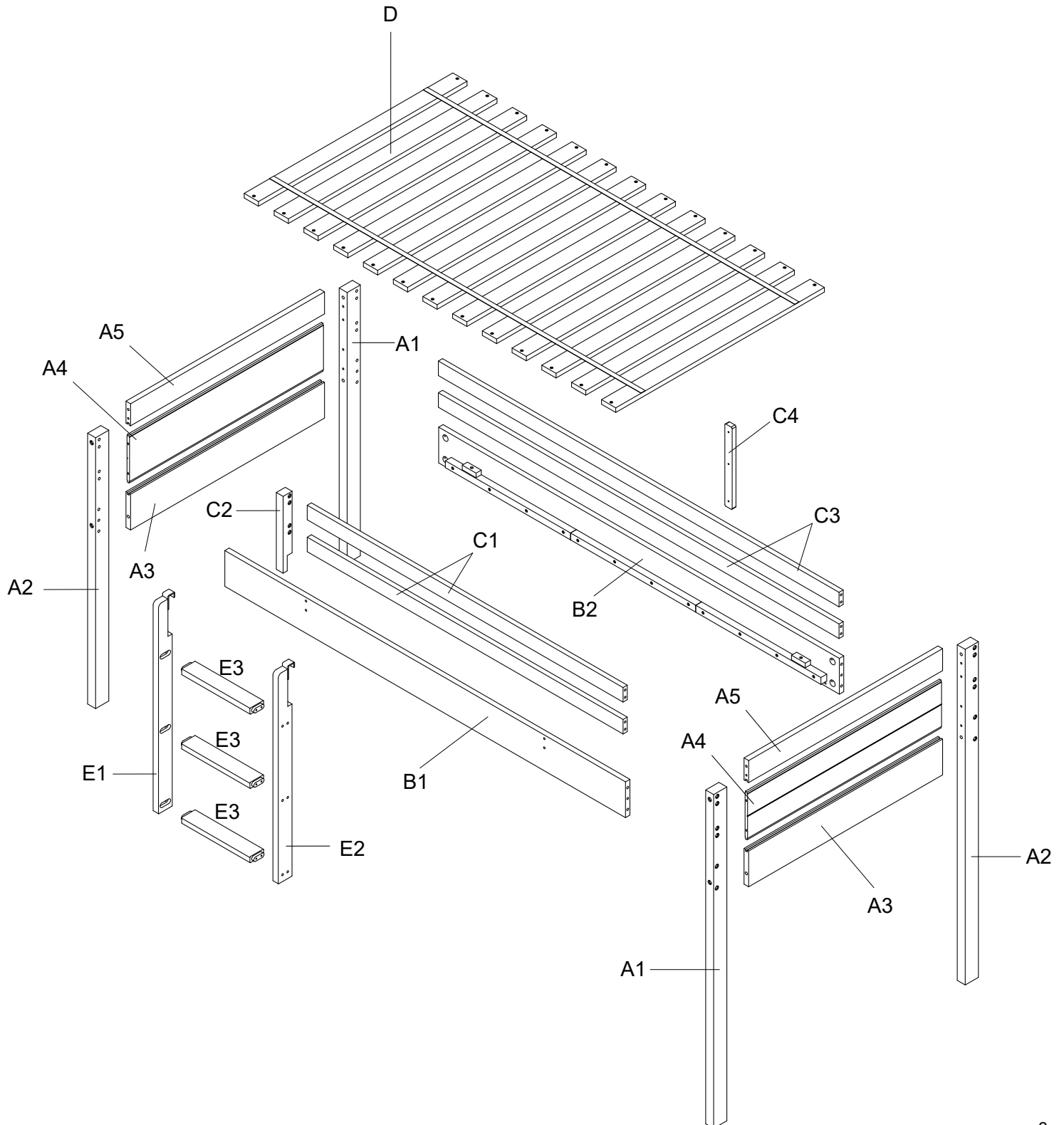
C4: Back Vertical Rail x1pc

D: Slats Roll x1Set

E1: Ladder Left Post x1pc

E2: Ladder Right Post x1pc

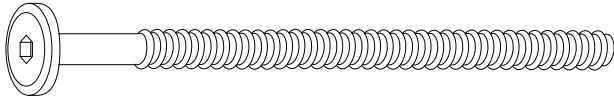
E3: Ladder Step x3pcs



Part List

HARDWARE AND TOOL DIAGRAM

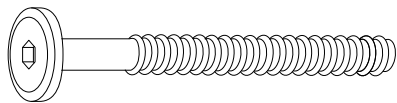
- ① Ø1/4" x 3" Allen Head Bolt x16



- ⑥ 1-1/4" Wood dowel x16



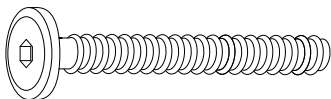
- ② Ø1/4" x 2" Allen Head Bolt x12



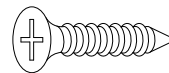
- ⑦ 1-5/8" Wood dowel x4



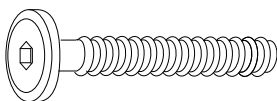
- ③ Ø1/4" x 1-5/8" Allen Head Bolt x6



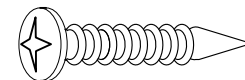
- ⑧ 3/4" Flat Head Screw x2



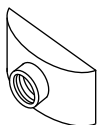
- ④ Ø1/4" x 1-3/8" Allen Head Bolt x12



- ⑨ 1-1/4" Phillip Head Screw x29



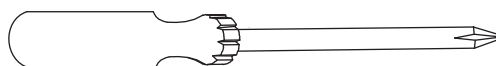
- ⑤ Crescent Nut x8



- ⑩ Allen Wrench x1



Screwdriver (Not included)



Furniture Care Instructions

Room Climate Control

Wood, when first cut contains more than 50 percent water. When it is prepared for furniture construction it is placed in a Kiln and the moisture content is brought down to 8 to 10 percent. Wood is porous and responds to its environment. If the room has high humidity it will absorb it and expand and if the humidity is low it will lose moisture and shrink.

It is important that the humidity levels in the room be controlled from extremes of too much humidity or too little. Furniture should not be placed close to air-conditioning outlets, fireplaces, radiators, space heaters, humidifiers or dehumidifiers. Exposure to extreme variations of temperature and humidity can damage any fine wood product.

The Ideal Environment for Fine Furniture

Fine wood furniture will have fewer problems when its environment is controlled at a temperature between 65 and 75 degrees and a relative humidity between 35 and 40 percent. Wood placed in an environment outside of those limits can and will shrink or expand and may develop some small cracks which are not material or structural defects.

Sticking Doors and Drawers

With minor changes in temperature and humidity, doors and drawers may swell and be difficult to open or close. Tolerances have been built into the units but extreme conditions may still cause sticking. This will adjust back to normal over time but until it does, consider using a dehumidifier or rub candle wax or paraffin on the sides that stick.

Avoid Direct Sunlight

Keep the furniture out of direct sunlight. Ultraviolet rays will fade colors and in some cases darken them. It can also cause crazing or hair line cracks in the finish. White finishes will yellow naturally over time and exposure to direct sunlight will hasten this natural process along with some woods darkening naturally over time; this is not considered to be a quality defect.

Proper Storage

If you need to put your furniture in storage for any period of time, do not place furniture in a damp basement or hot dry attic. Allow air movement around the furniture and do not stack anything on it.

In General

- Protect furniture surface from hot or extremely cold items.
- Use coasters under hot or cold beverages.
- Do not use synthetic fabric under accessories or lamps.
- Protect tops from pens, markers and crayons.
- Oils from potpourri and other scented items can damage the furniture finish.
- Do not drag items across the surface of the furniture.
- Allow the surface to breathe by rotating your accessories and lamps.
- Do not over polish the furniture, do it only two or three times a year. Over polishing can distort the natural finish of the product.
- Do not wax the furniture as wax build up can destroy the natural finish of the product.
- When moving furniture always lift the unit. Do not push or drag it to avoid damage to the legs.
- Keep the furniture level so doors and drawers open and close freely.
- Clean with a damp, not wet, cloth. Use only a mild soap. Do not use abrasive cleaners.

STOP

**IF YOU EXPERIENCE ANY
ISSUES WITH THIS PRODUCT**

**BEFORE YOU
RETURN THIS TO
THE RETAILER**

**PLEASE FOLLOW
PROCEDURES ON THE
BACK PAGE**

WARNINGS

TO HELP PREVENT SERIOUS OR FATAL INJURIES FROM ENTRAPMENT OR FALLS:

1. FOLLOW THE INFORMATION ON THE WARNINGS APPEARING ON THE UPPER BUNK END STRUCTURE AND ON THE CARTON. DO NOT REMOVE WARNING LABEL FROM BED.
2. ALWAYS USE THE RECOMMENDED SIZE MATTRESS OR MATTRESS SUPPORT, OR BOTH, TO HELP PREVENT THE LIKELIHOOD OF ENTRAPMENT OR FALL.
3. SURFACE OF MATTRESS MUST BE AT LEAST 5 INCHES (127MM) BELOW THE UPPER EDGE OF GUARDRAILS.
4. DO NOT ALLOW CHILDREN UNDER 6 YEARS OF AGE TO USE THE UPPER BUNK.
5. PERIODICALLY CHECK AND ENSURE THAT THE GUARDRAIL, LADDER, AND OTHER COMPONENTS ARE IN THEIR PROPER POSITION, FREE FROM DAMAGE, AND THAT ALL CONNECTORS ARE TIGHT.
6. DO NOT ALLOW HORSEPLAY ON OR UNDER THE BED AND PROHIBIT JUMPING ON THE BED.
7. PROHIBIT MORE THAN ONE PERSON ON UPPER BUNK.
8. ALWAYS USE THE LADDER FOR ENTERING AND LEAVING THE UPPER BUNK.
9. DO NOT USE SUBSTITUTE PARTS. CONTACT THE MANUFACTURER OR DEALER FOR REPLACEMENT PARTS.
10. USE OF A NIGHT LIGHT MAY PROVIDE ADDED SAFETY PRECAUTION FOR A CHILD USING THE UPPER BUNK.
11. ALWAYS USE GUARDRAILS ON BOTH LONG SIDES OF THE UPPER BUNK.
IF THE BUNK BED WILL BE PACED NEXT TO THE WALL, THE GUARDRAIL THAT RUNS THE FULL LENGTH OF THE BED SHOULD BE PLACED AGAINST THE WALL TO PREVENT ENTRAPMENT BETWEEN THE BED AND WALL.
12. THE USE OF WATER OR SLEEP FLOTATION MATTRESSES IS PROHIBITED.
13. USE ONLY MATTRESS WHICH IS 74-75 INCHES LONG AND 37 1/2- 38 1/2 INCHES WIDE ON UPPER BUNK.
14. KEEP THESE INSTRUCTIONS FOR FUTURE REFERENCE.

STRANGULATION HAZARD - NEVER ATTACH OR HANG ITEMS TO ANY PART OF THE BUNK BED THAT ARE NOT DESIGNED FOR USE WITH THE BED; FOR EXAMPLE, BUT NOT LIMITED TO, HOOKS, BELTS, AND JUMP ROPES.

SIZE OF MATTRESS AND FOUNDATION:

USE ONLY MATTRESS WHICH IS 74"-75" LONG AND 37 1/2" - 38 1/2" WIDE ON UPPER BUNK. ENSURE THICKNESS OF MATTRESS DOES NOT EXCEED 8" AND MATTRESS IS AT LEAST 5" BELOW UPPER EDGE OF GUARDRAILS.

ASSEMBLY STEP 1 (LOFTBED)

A1: Post 1 x2pcs

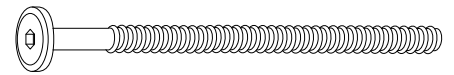
A2: Post 2 x2pcs

A3: Headboard Bottom Rail x2pcs

A4: Headboard Middle Panel x2pcs

A5: Headboard Top Rail x2pcs

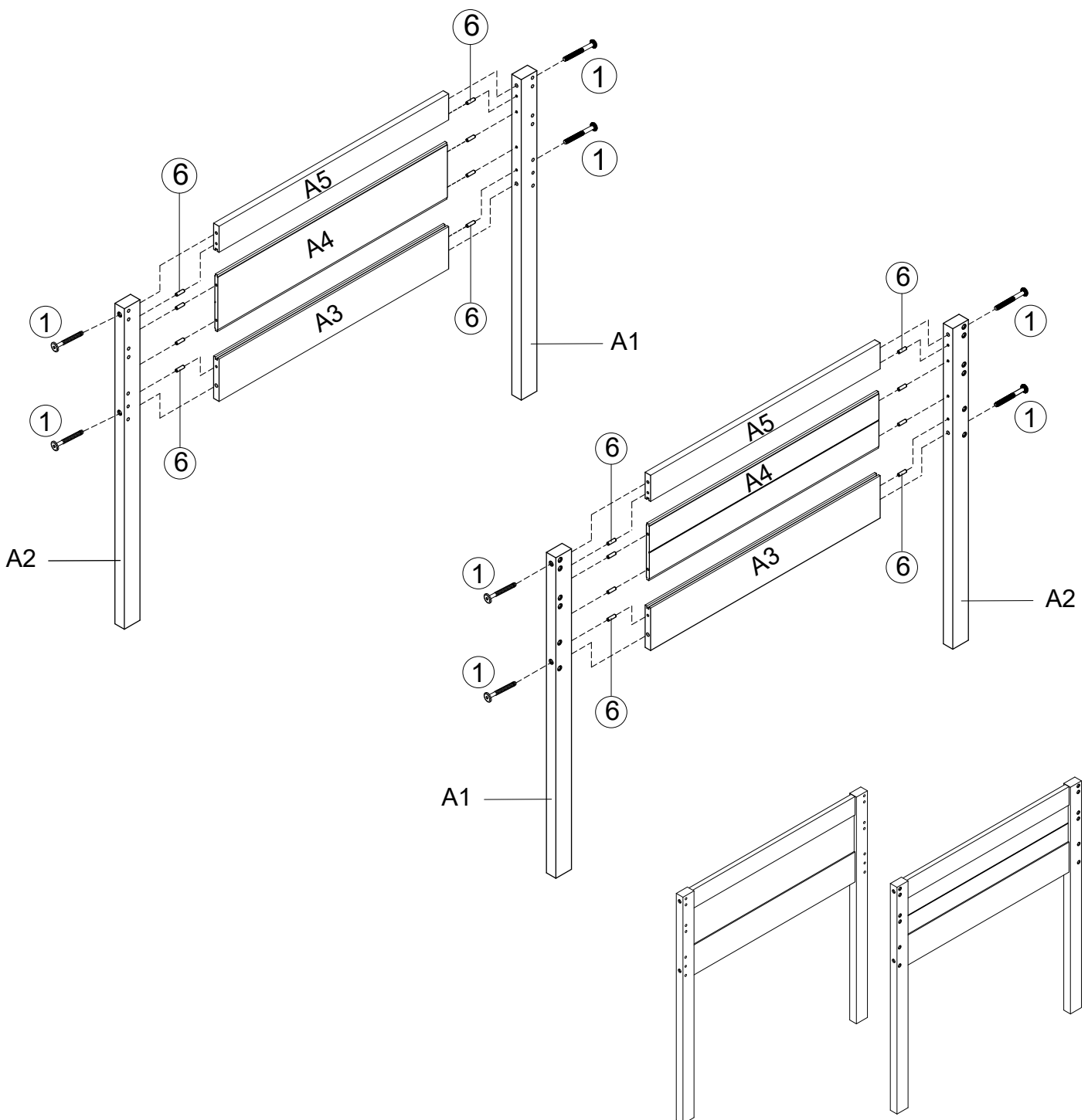
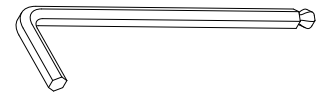
1 Ø1/4" x 3" Allen Head Bolt x8



6 Ø1/4" x 1-1/4" Wood dowel x16



10 Allen Wrench x1



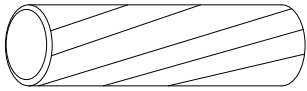
ASSEMBLY STEP 2 (LOFT BED)

B1: Front Bed Rail x1pc

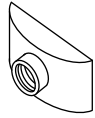
B2: Back Bed Rail x1pc

C3: Back Horizontal Rail x2pcs

⑦ 1-5/8" Wood dowel x4



⑤ Crescent Nut x8



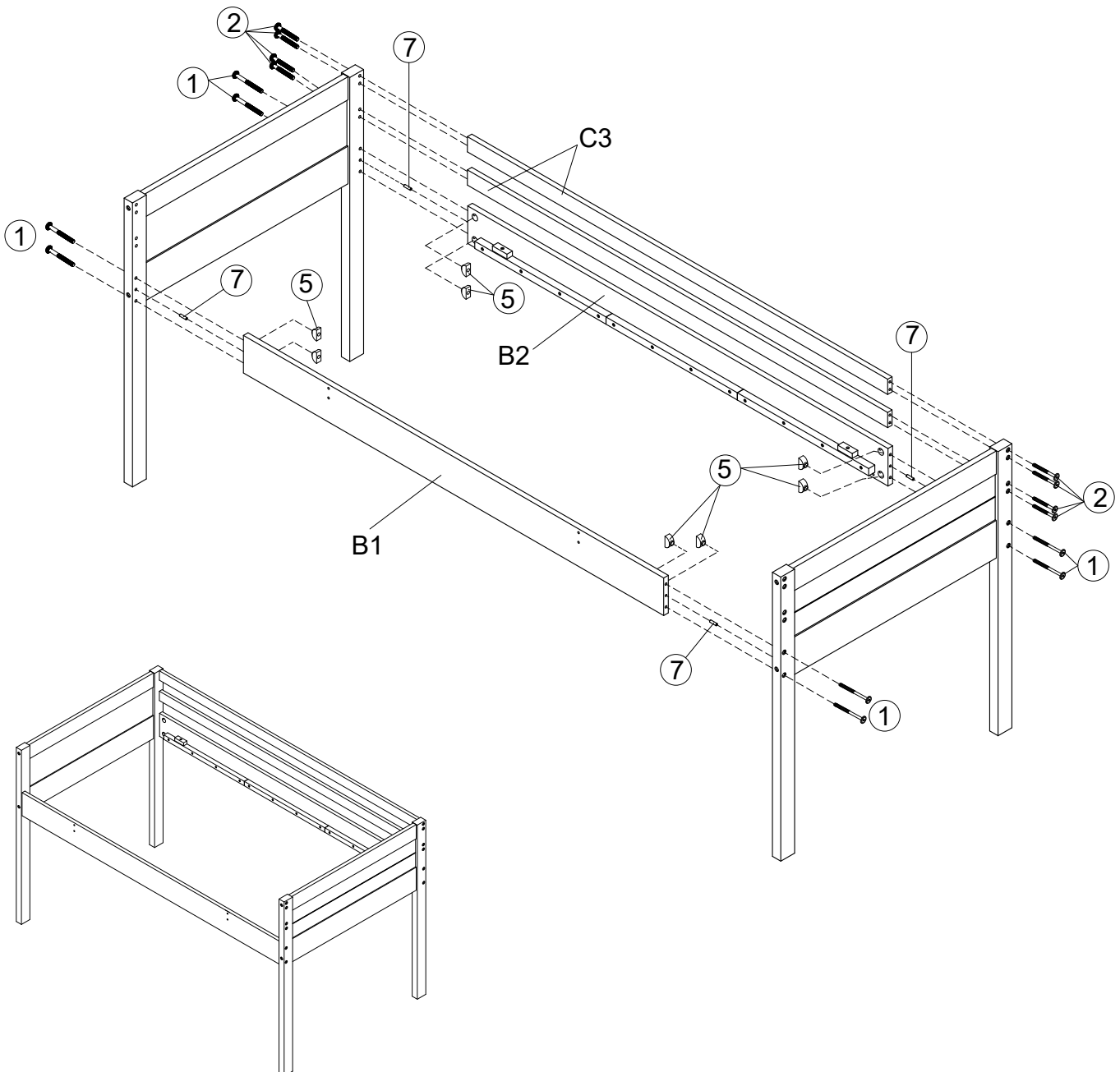
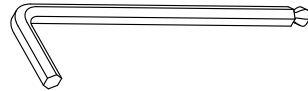
① Ø1/4" x 3" Allen Head Bolt x8



② Ø1/4" x 2" Allen Head Bolt x8



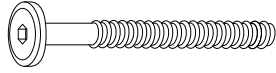
⑩ Allen Wrench x1



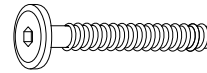
ASSEMBLY STEP 3 (LOFT BED)

C2: Front Vertical Rail x1pc

② Ø1/4" x 2" Allen Head Bolt x4



③ Ø1/4" x 1-5/8" Allen Head Bolt x6



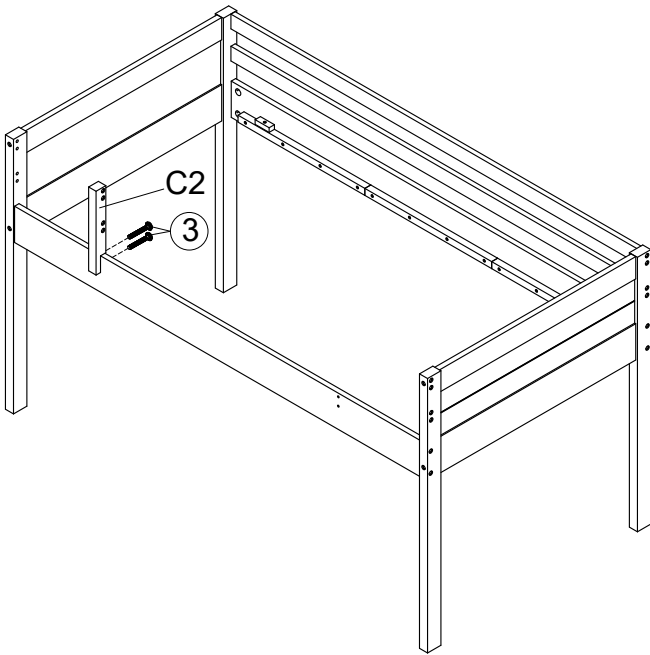
⑩ Allen Wrench x1



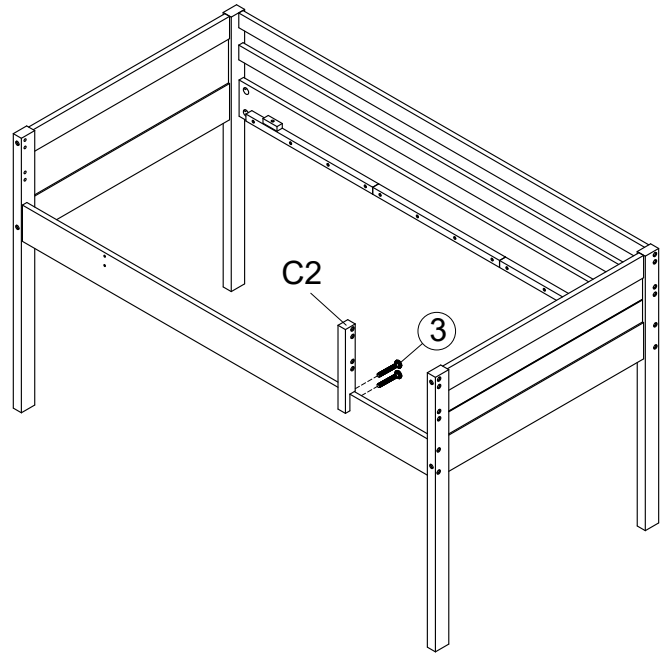
Note: before attaching Front Vertical Guardrail (C2) decide which side of the bunk bed you would like the ladder on.

Follow the diagrams on the left side for attaching the ladder on the left.

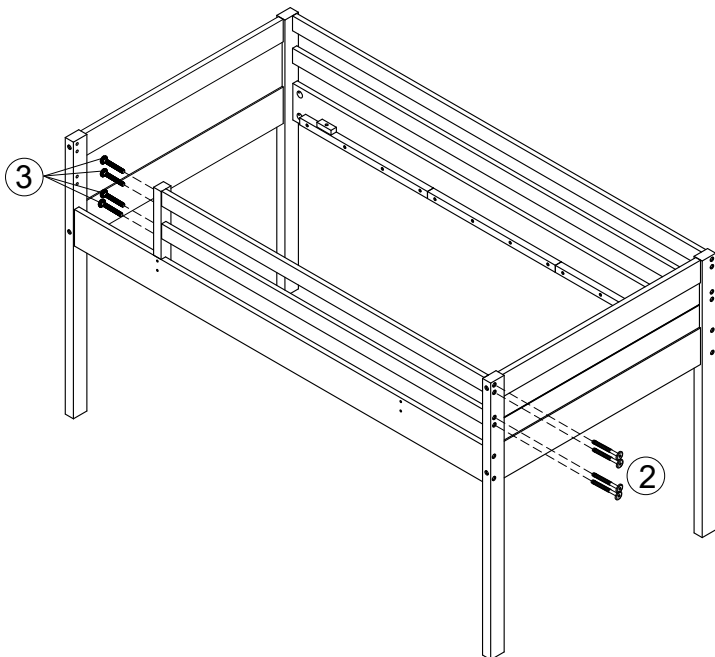
Follow the diagrams on the right side for attaching the ladder on the right.



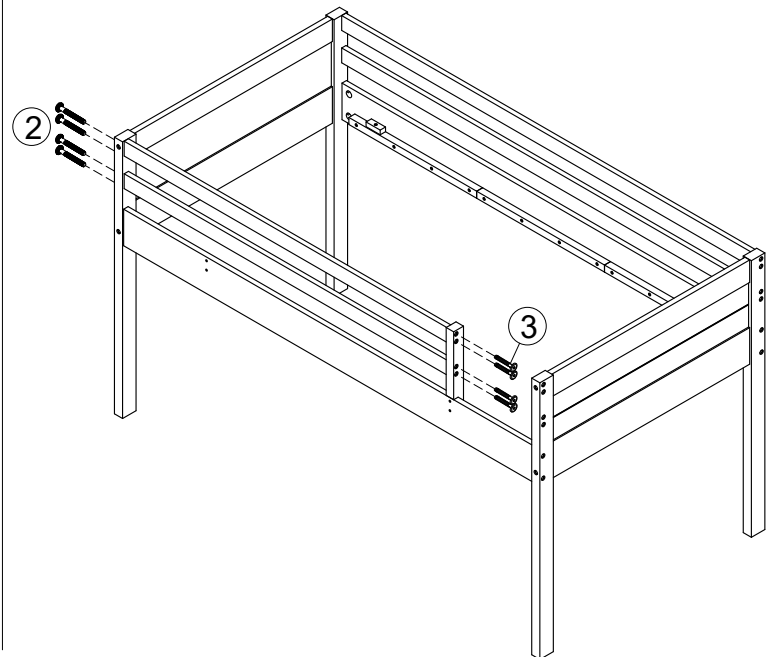
For attaching Ladder on the LEFT side of the Loft Bed



For attaching Ladder on the RIGHT side of the Loft Bed



For attaching Ladder on the LEFT side of the Loft Bed



For attaching Ladder on the RIGHT side of the Loft Bed

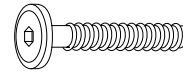
ASSEMBLY STEP 4 (LOFT BED)

E1: Ladder Left Post x1pc

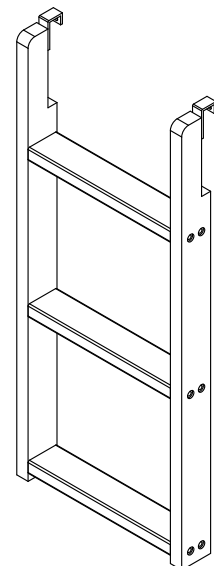
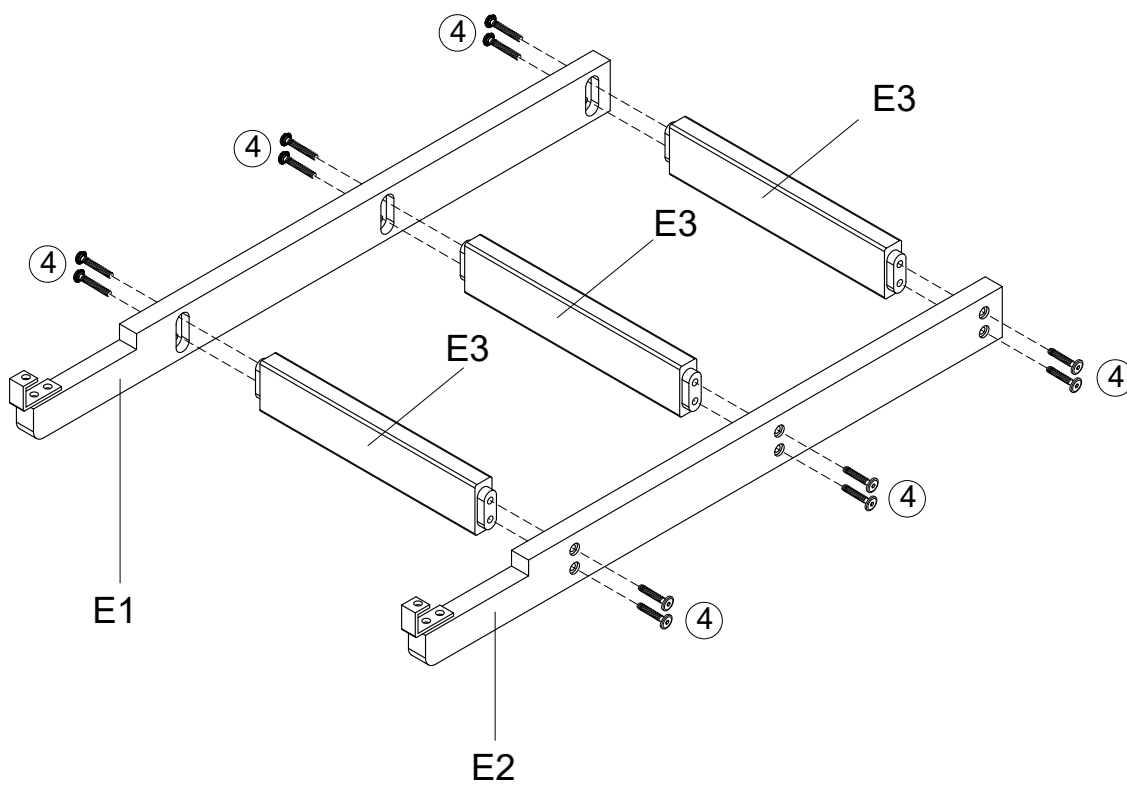
E2: Ladder Right Post x1pc

E3: Ladder Step x3pcs

4 Ø1/4" x 1-3/8" Allen Head Bolt x12

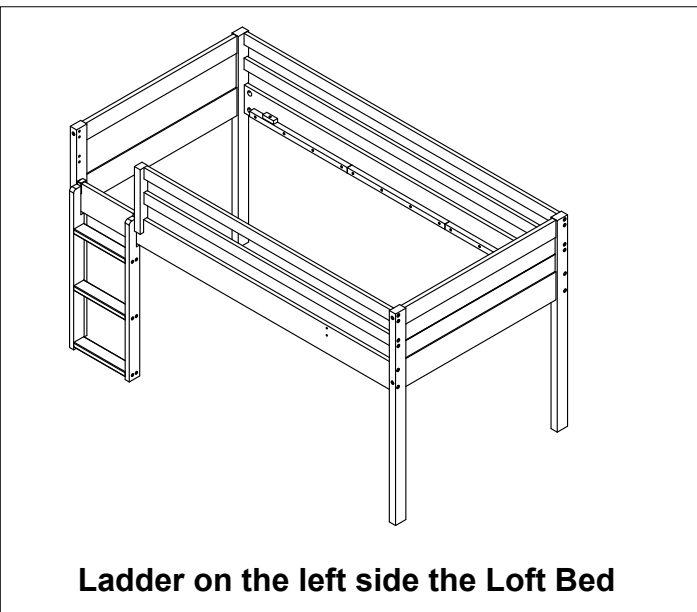
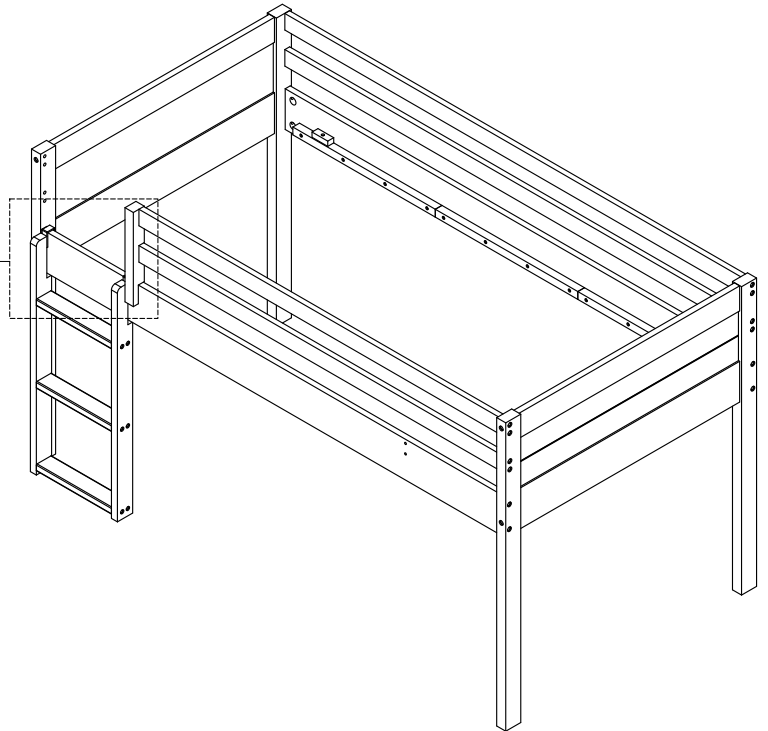
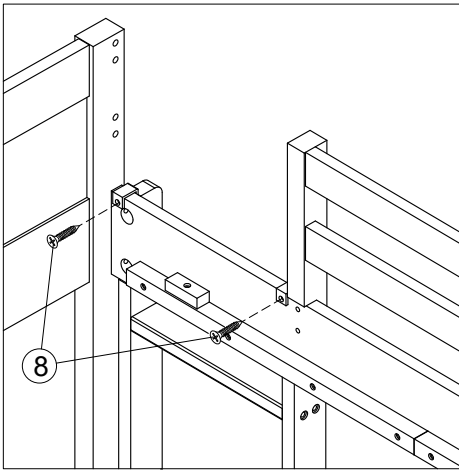
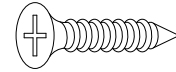


10 Allen Wrench x1

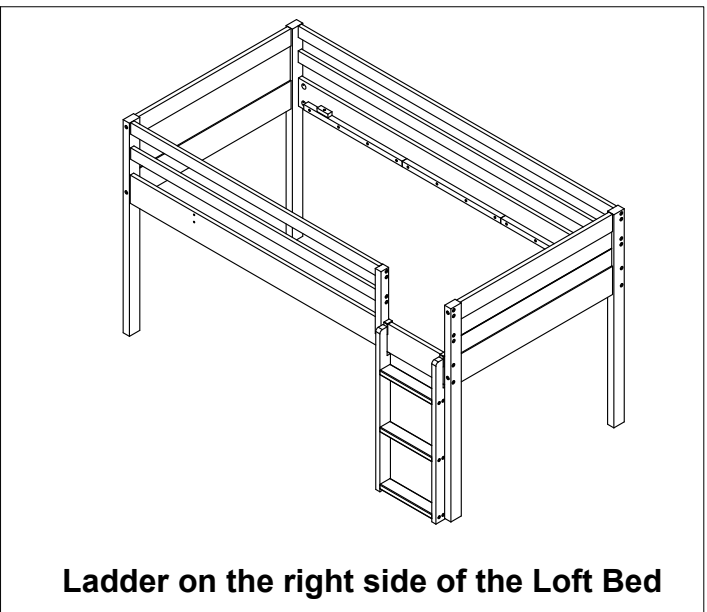


ASSEMBLY STEP 5 (LOFT BED)

8 3/4" Flat Head Screw x2



Ladder on the left side the Loft Bed



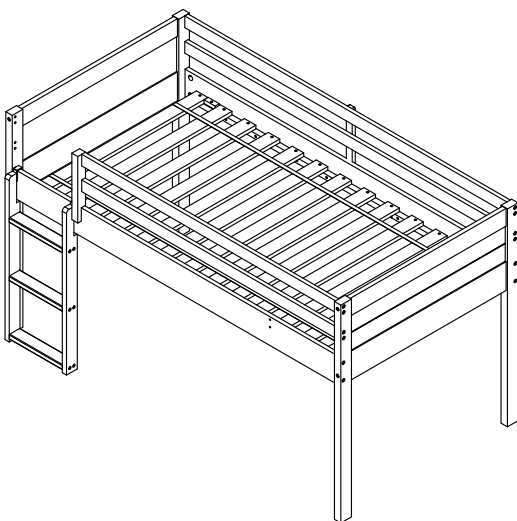
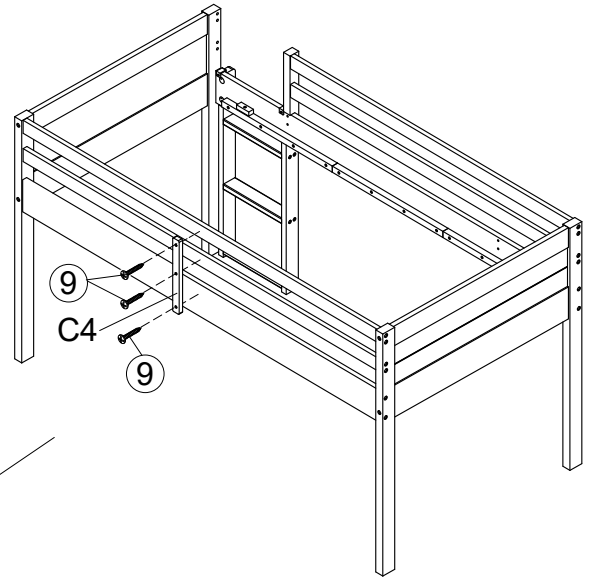
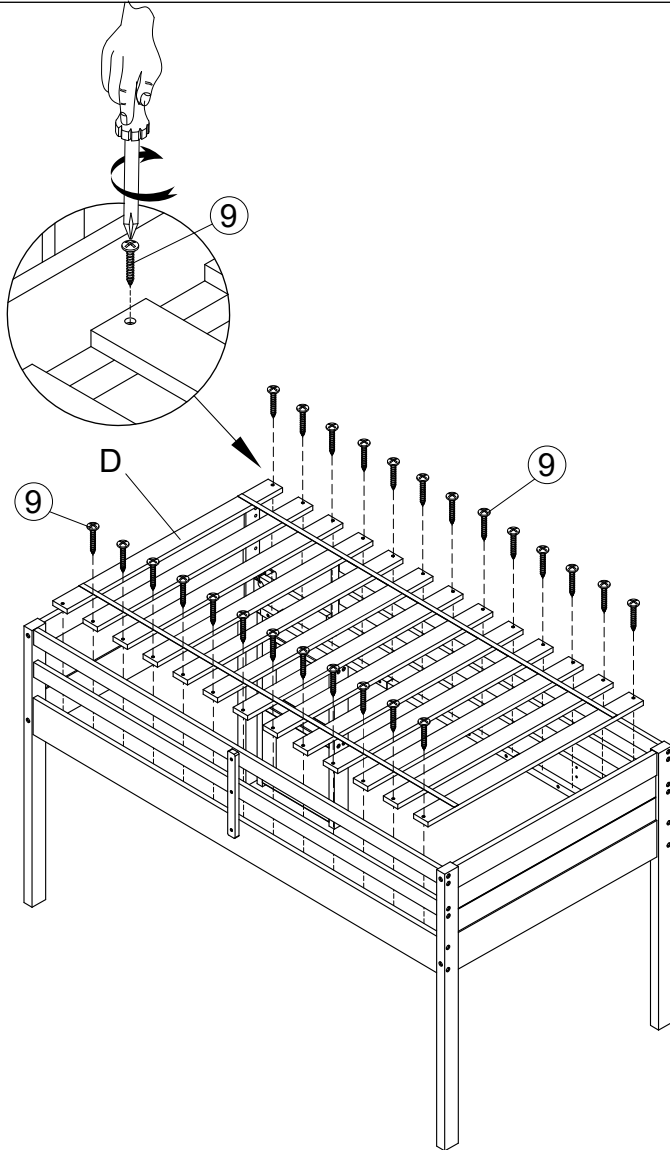
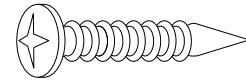
Ladder on the right side of the Loft Bed

ASSEMBLY STEP 6 (LOFT BED)

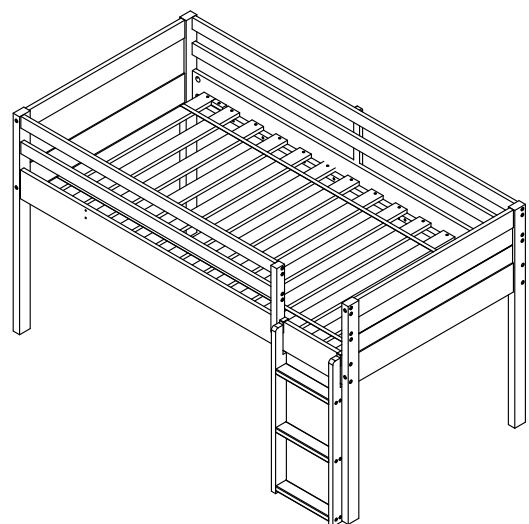
C4: Back Vertical Rail x1pc

D: Slats Roll x1Set

9 1-1/4" Phillip Head Screw x29

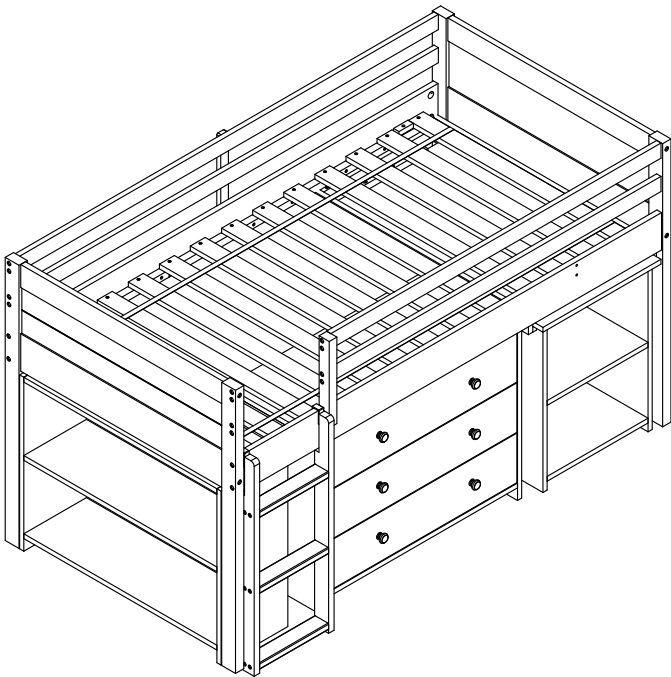


Loftbed Complete with Ladder on the left

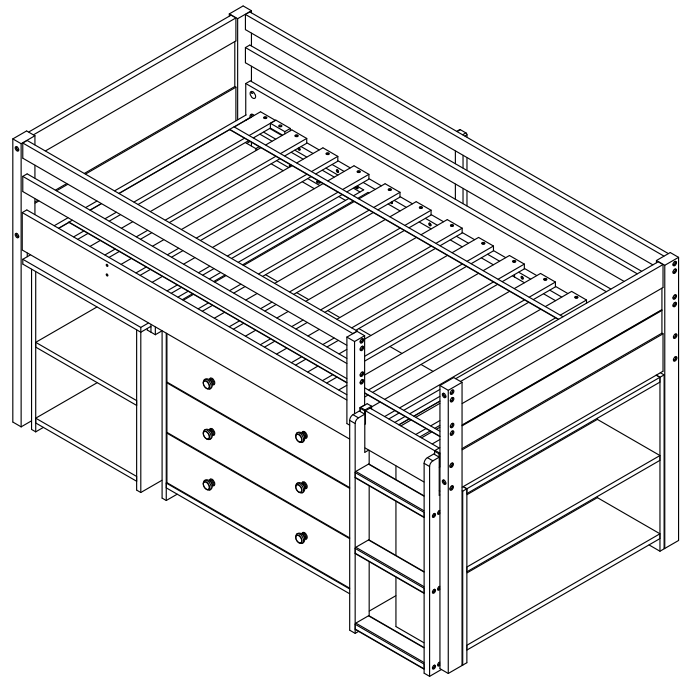


Loftbed Complete with Ladder on the right

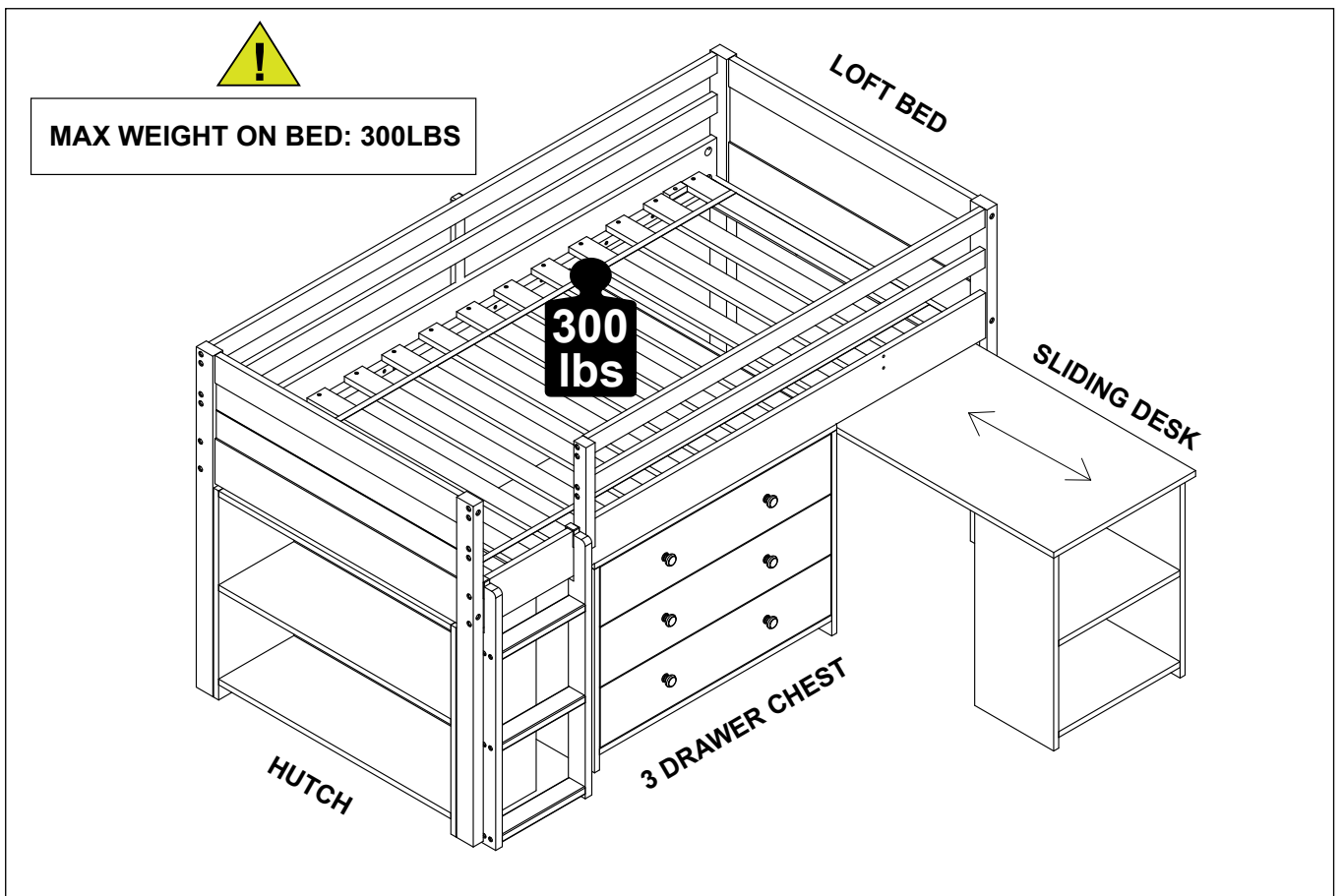
LOFT BED COMBINE WITH SLIDING DESK & HUTCH & 3 DRAWER CHEST



LADDER ON THE LEFT



LADDER ON THE RIGHT



Product Assistance Procedures

You have purchased a quality piece of furniture. Our International team has spent many hours designing and engineering this piece and packaging to ensure you will be satisfied with your purchase. But if for any reason you need help with your purchase please contact us at any time.

Procedures to follow should you have any questions:

Most inquiries can be answered by visiting our website. There, you can order parts, find assembly instructions, and get answers to frequently asked questions on all of our brands.

You can also email us. In order for us to provide you with the best service possible, please include the following information in your email:

1. Your Name
2. Address
3. Phone Number
4. Item Number and description of your product
5. PO#
6. Production Date

All product information will be on the product label located on the back of all dressers and other furniture, and on either the inside bottom of the headboard, crib ends, or stabilizer bar of your crib, depending on which model you have.

Someone will contact you via e-mail or phone to help you with your issues.

If you do not have internet access, you can fax your information to us.

If you do not have internet or fax access, please call us at our toll free number. Be sure to have all of the above information ready to give to your Customer Service Specialist.

Contact

U.S.A & CANADA

Bivona & Company®, LLC
701 Boutwell Rd, Suite A-3, Lake Worth Florida.
Toll Free: 1-888-963-8125
Fax: 1-561-421-0261
Zip code : 33461
Website: www.bivonaco.com
Email: info@bivonaco.com

Manufactured for and distributed in the United States & Canada by: Bivona & Company®, LLC
LLC 701 Boutwell Rd, Suite A-3, Lake Worth Florida.

MADE IN VIETNAM