

G- Sliding Desk (See Step 1-8 from page 8-15)

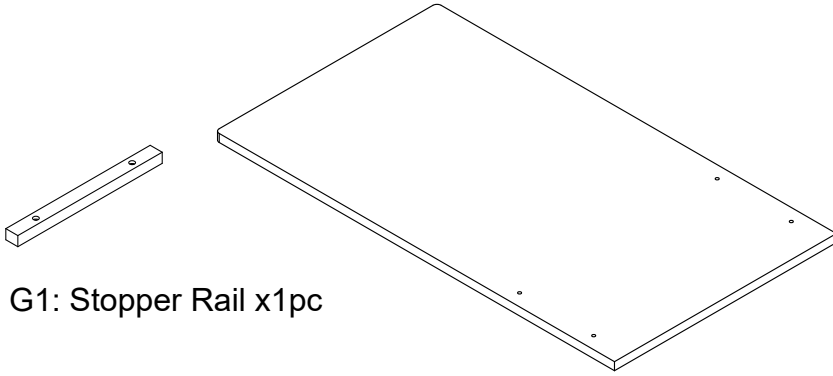
H- Hutch (See Step 9-14 from page 16-21)

IMPORTANT! Please keep these instructions for future reference. Please read these instructions before assembly and use of this product.

- Adult assembly is required.
- Allen wrench (included) required for assembly.
- Product features and decorations may vary from illustrations.
- Do not use power drills or drivers.
- Phillips Head Screwdriver (Not included) required for assembly

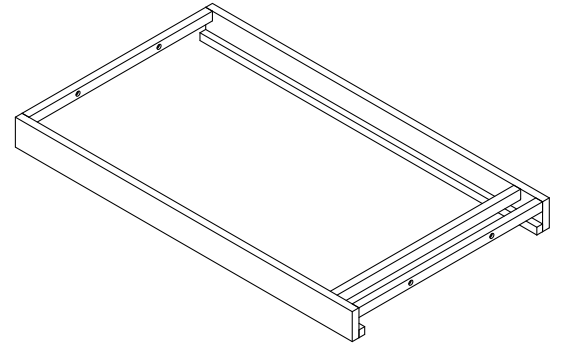
Bulletin NO.: 147656-00-CA-EN

Part List for SLIDING DESK

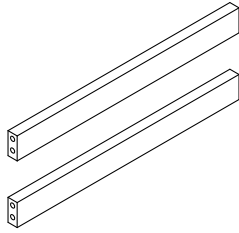


G1: Stopper Rail x1pc

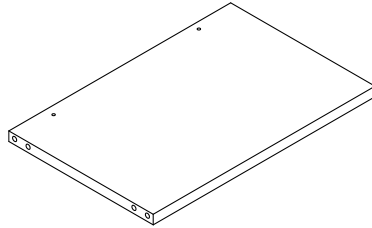
G2: Top Sliding Desk x1pc



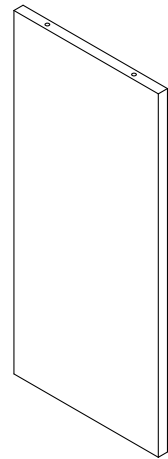
G3: Sliding Frame x1pc



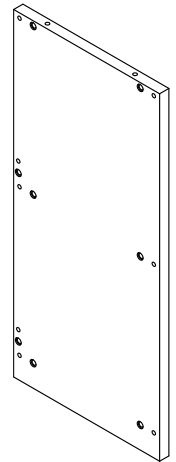
G4: Back Rail x2pcs



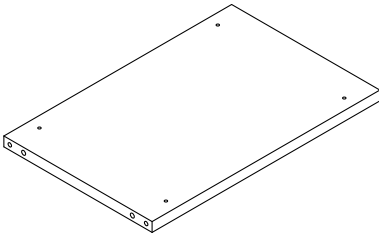
G5: Middle panel x1pc



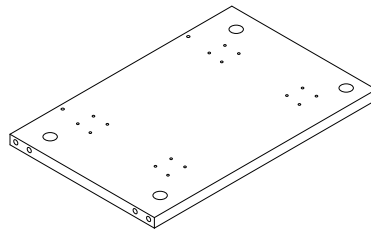
G8: Left Side Panel x1pc



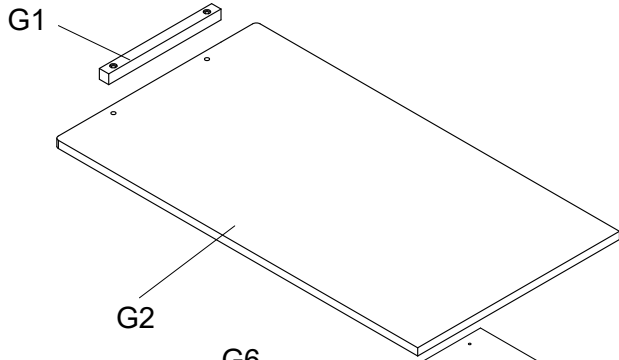
G9: Right Side Panel x1pc



G6: Top panel x1pc



G7: Bottom panel x1pc



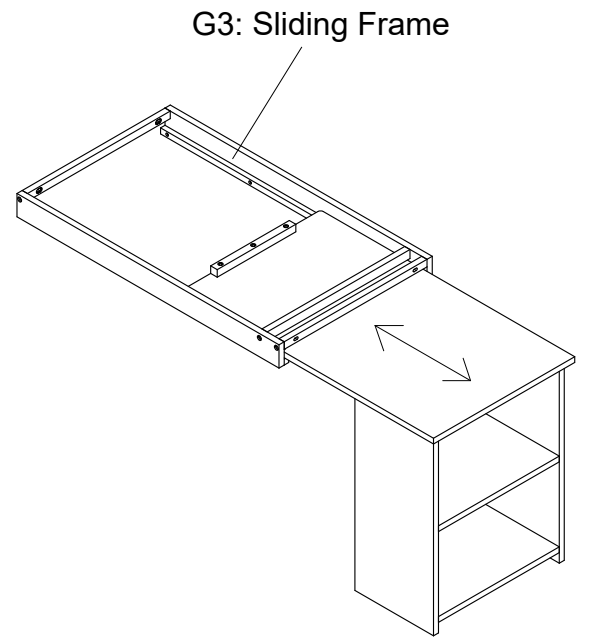
G2

G6

G1

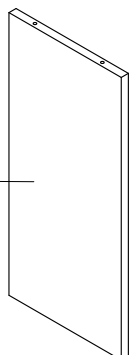
G4

G5



G3: Sliding Frame

G9



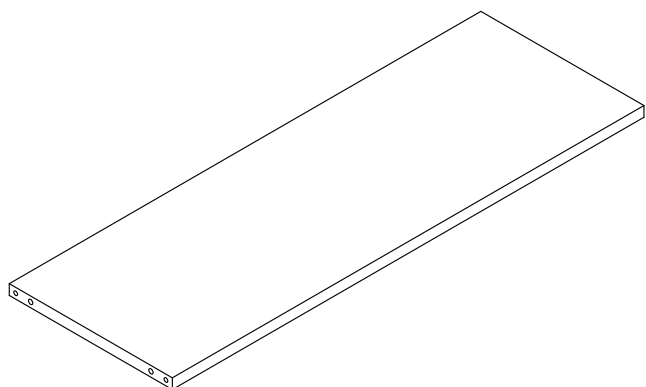
G8

G4

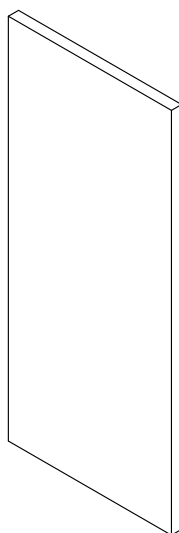
G7

G- Sliding Desk

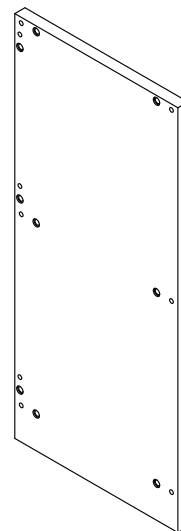
Part List for HUTCH



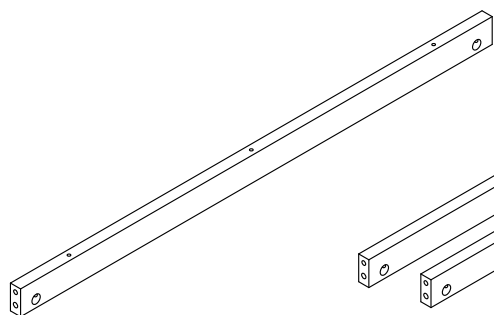
H1: Top Panel x1pc



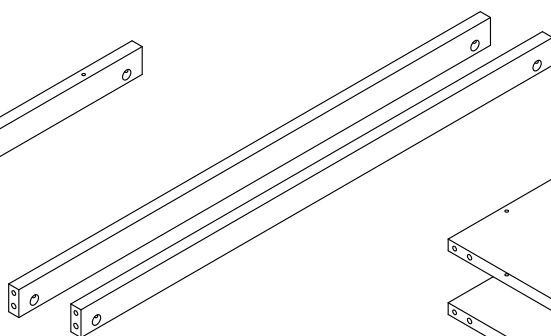
H2: Left Side Panel x1pc



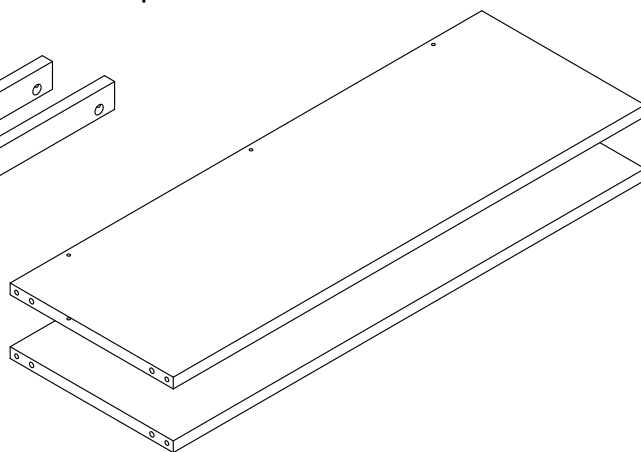
H3: Right Side Panel x1pc



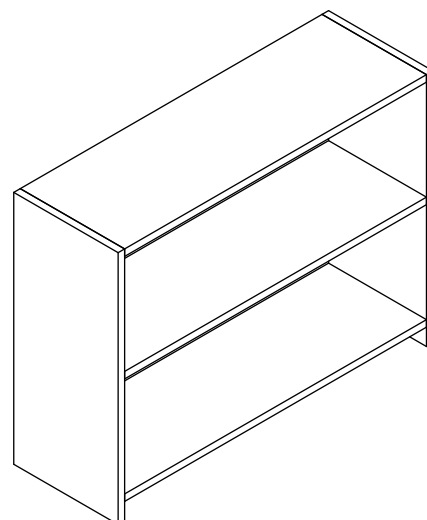
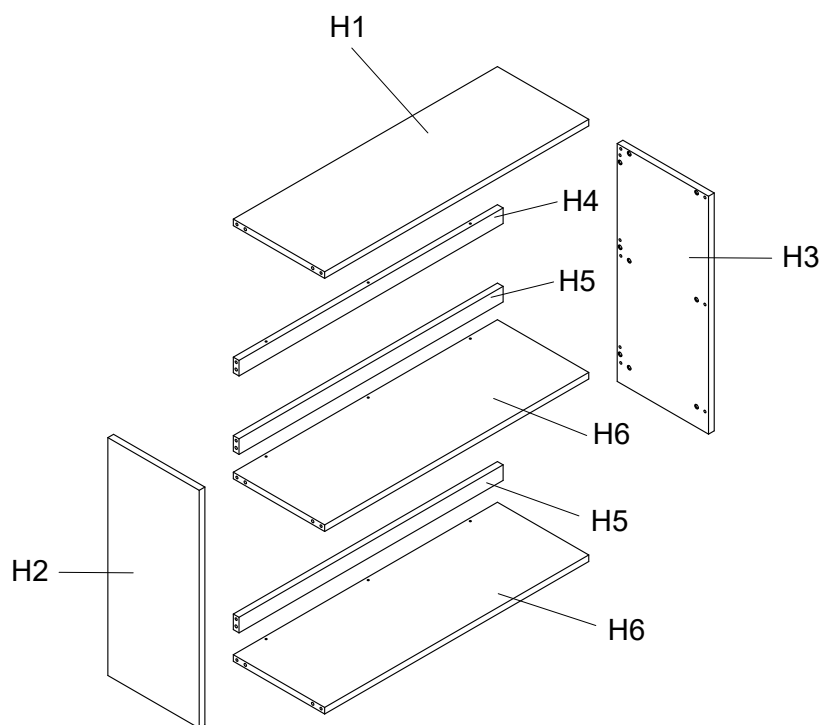
H4: Top Back Rail x1pc



H5: Lower Back Rail x2pcs



H6: Shelf Panel x2pcs

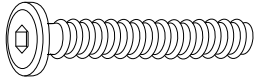


H- Hutch

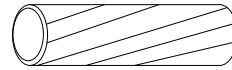
Part List

HARDWARE AND TOOL DIAGRAM *For Sliding Desk & Hutch*

- 11 Ø1/4" x 1-1/4" Allen Head Bolt x6



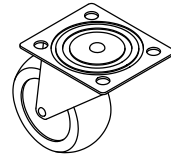
- 17 1-1/4" Wood dowel x38



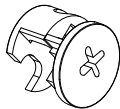
- 12 Cam Rods x34



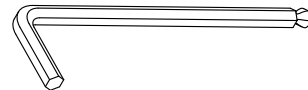
- 18 Caster x4



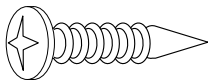
- 13 Cam Lock x38



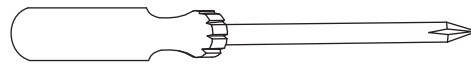
- 19 Allen Wrench x1



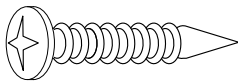
- 14 3/4" Phillip Head Screw x16



Screwdriver (Not included)

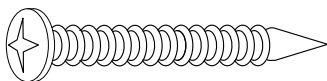


- 15 1-1/4" Phillip Head Screw x14



Anti-Tip Kit x1 bag (For Hutch)
(Instruction and Hardware inside)

- 16 1-5/8" Phillip Head Screw x3



Furniture Care Instructions

Room Climate Control

Wood, when first cut contains more than 50 percent water. When it is prepared for furniture construction it is placed in a Kiln and the moisture content is brought down to 8 to 10 percent. Wood is porous and responds to its environment. If the room has high humidity it will absorb it and expand and if the humidity is low it will lose moisture and shrink.

It is important that the humidity levels in the room be controlled from extremes of too much humidity or too little. Furniture should not be placed close to air-conditioning outlets, fireplaces, radiators, space heaters, humidifiers or dehumidifiers. Exposure to extreme variations of temperature and humidity can damage any fine wood product.

The Ideal Environment for Fine Furniture

Fine wood furniture will have fewer problems when its environment is controlled at a temperature between 65 and 75 degrees and a relative humidity between 35 and 40 percent. Wood placed in an environment outside of those limits can and will shrink or expand and may develop some small cracks which are not material or structural defects.

Sticking Doors and Drawers

With minor changes in temperature and humidity, doors and drawers may swell and be difficult to open or close. Tolerances have been built into the units but extreme conditions may still cause sticking. This will adjust back to normal over time but until it does, consider using a dehumidifier or rub candle wax or paraffin on the sides that stick.

Avoid Direct Sunlight

Keep the furniture out of direct sunlight. Ultraviolet rays will fade colors and in some cases darken them. It can also cause crazing or hair line cracks in the finish. White finishes will yellow naturally over time and exposure to direct sunlight will hasten this natural process along with some woods darkening naturally over time; this is not considered to be a quality defect.

Proper Storage

If you need to put your furniture in storage for any period of time, do not place furniture in a damp basement or hot dry attic. Allow air movement around the furniture and do not stack anything on it.

In General

- Protect furniture surface from hot or extremely cold items.
- Use coasters under hot or cold beverages.
- Do not use synthetic fabric under accessories or lamps.
- Protect tops from pens, markers and crayons.
- Oils from potpourri and other scented items can damage the furniture finish.
- Do not drag items across the surface of the furniture.
- Allow the surface to breath by rotating your accessories and lamps.
- Do not over polish the furniture, do it only two or three times a year. Over polishing can distort the natural finish of the product.
- Do not wax the furniture as wax build up can destroy the natural finish of the product.
- When moving furniture always lift the unit. Do not push or drag it to avoid damage to the legs.
- Keep the furniture level so doors and drawers open and close freely.
- Clean with a damp, not wet, cloth. Use only a mild soap. Do not use abrasive cleaners.

STOP

**IF YOU EXPERIENCE ANY
ISSUES WITH THIS PRODUCT**

**BEFORE YOU
RETURN THIS TO
THE RETAILER**

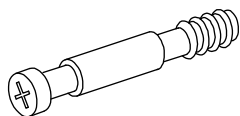
**PLEASE FOLLOW
PROCEDURES ON THE
BACK PAGE**

Cam Lock Fastener Assembly

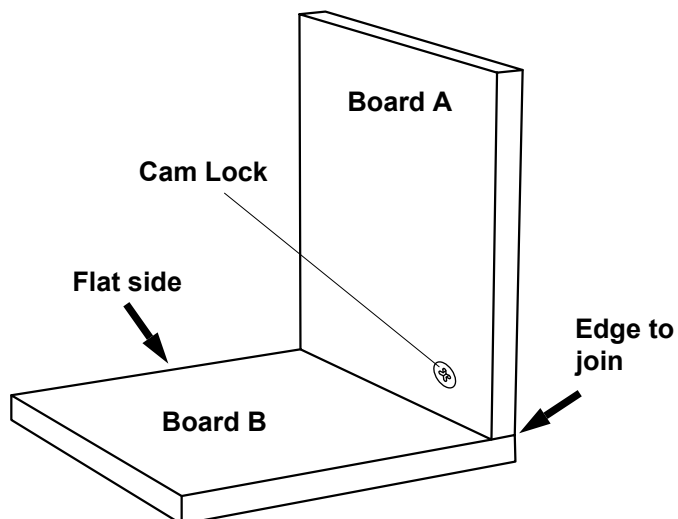
Cam Lock are fasteners used to join two boards together, usually the edge of one board (A) to the flat side of another board (B).



Cam Lock

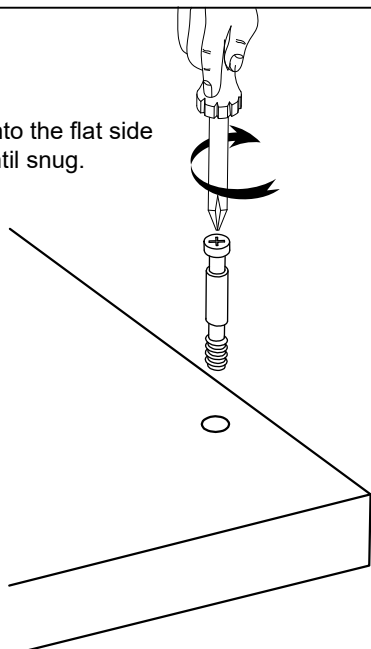


Cam Rod

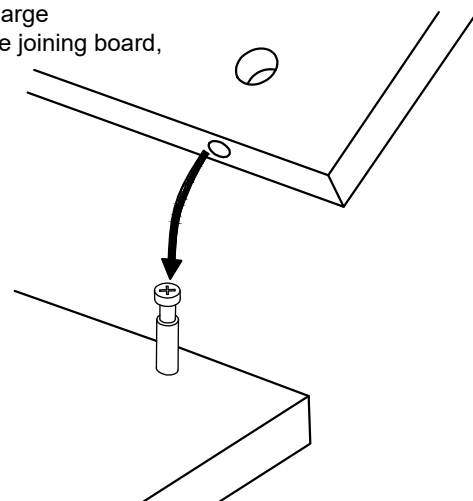


To use Cam Lock Fasteners:

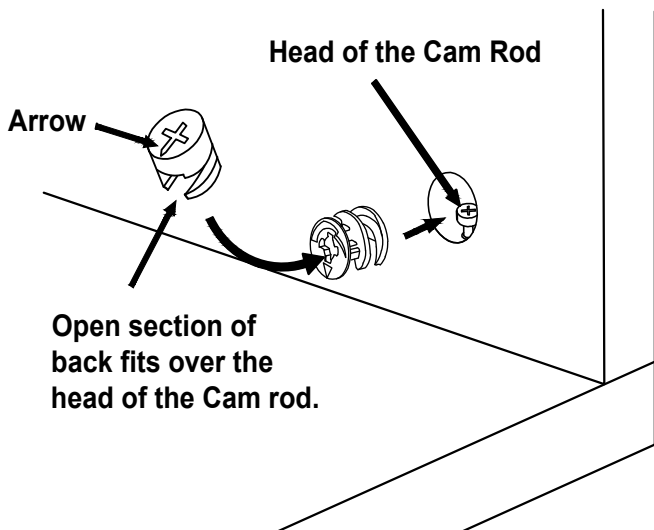
Step 1 - Insert Cam Rod into the flat side of a board. Tighten only until snug. **Do Not** over-tighten.



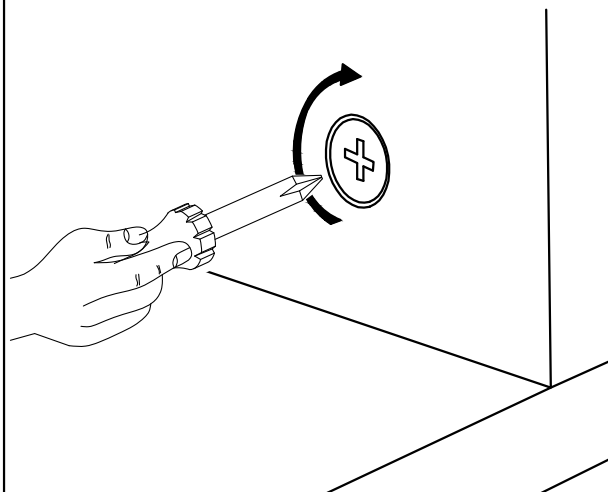
Step 2 - Fit the hole in the edge of the joining board over the Cam Rod. The head of the Cam Rod will be visible in the large hole in the side of the joining board, as in Step 3.



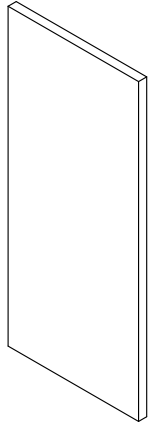
Step 3 - Notice the Cam Lock has a "C"-Shaped back. An arrow on the front points the same direction as the open section. Insert the Cam Lock into the large hole so the opening of the "C" fits over the head of the Cam Rod.



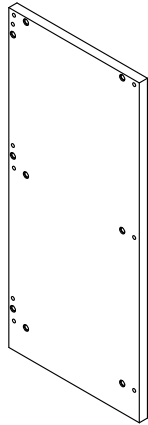
Step 4 - Use a Phillip Screwdriver to turn the Cam Lock clockwise on half a turn so it locks onto the head of the Cam Rod. Turn only until it is snug - over-tightening could cause the Cam to bend or break. If it will not turn the full amount, turn the Cam Rod out (counter-clockwise) one full turn, and try the Cam Lock again.



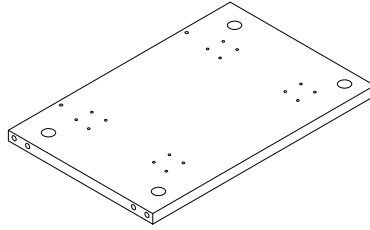
ASSEMBLY STEP 1 (SLIDING DESK)



G8: Left Side Panel x1pc

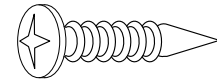


G9: Right Side Panel x1pc



G7: Bottom panel x1pc

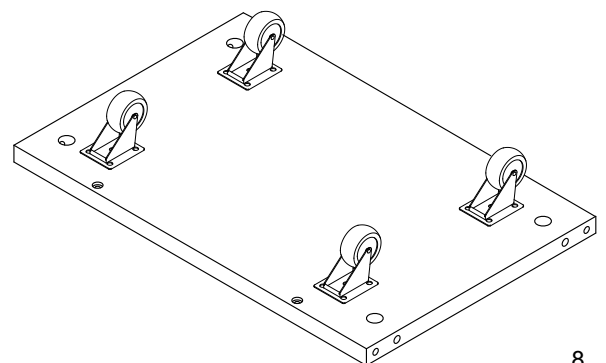
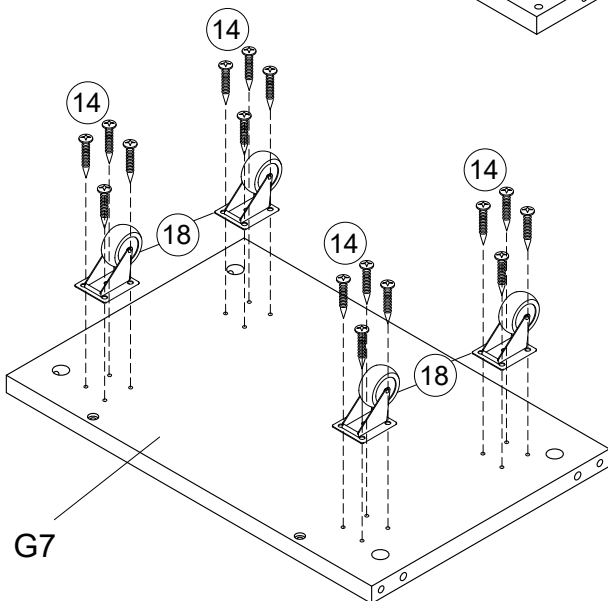
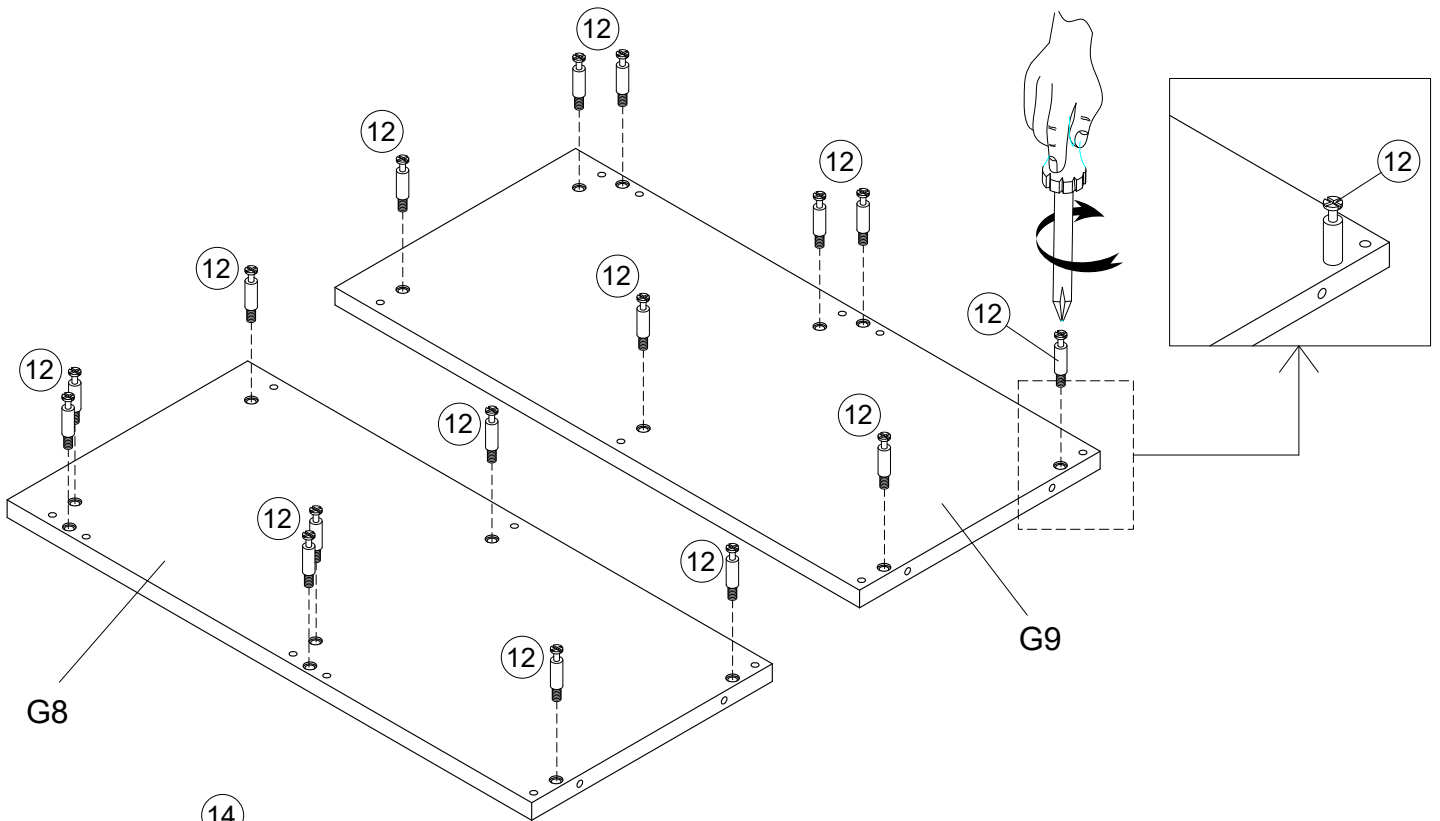
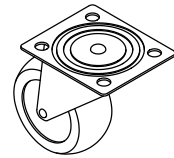
14 3/4" Phillip Head Screw x16



12 Cam Rods x16



18 Caster x4



ASSEMBLY STEP 2 (SLIDING DESK)

This diagram shows the individual components of the sliding desk assembly. On the left, there are three panels: G6 (Top panel), G5 (Middle panel), and G9 (Right Side Panel). On the right, there are two more panels: G7 (Bottom panel) and G9 (Right Side Panel). The G9 panels are shown with wood dowels (17) and cam locks (13) already attached. To the right of the panels are the hardware: a 1-1/4" wood dowel (17) and a cam lock (13).

G6: Top panel x1pc

G5: Middle panel x1pc

G9: Right Side Panel x1pc

G7: Bottom panel x1pc

17 1-1/4" Wood dowel x6

13 Cam Lock x6

This diagram illustrates the assembly process. It shows the top panel (G6), middle panel (G5), and right side panel (G9) being aligned with the bottom panel (G7). Dashed lines indicate the alignment of the wood dowels (17) and cam locks (13) between the panels. The cam locks (13) are shown being inserted into the bottom panel (G7) from the top panel (G6) and middle panel (G5). The wood dowels (17) are shown being inserted into the bottom panel (G7) from the top panel (G6) and middle panel (G5).

G6

G5

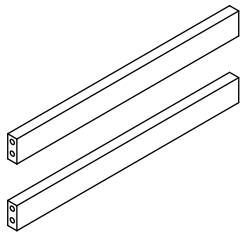
G7

G9

13

17

ASSEMBLY STEP 3 (SLIDING DESK)

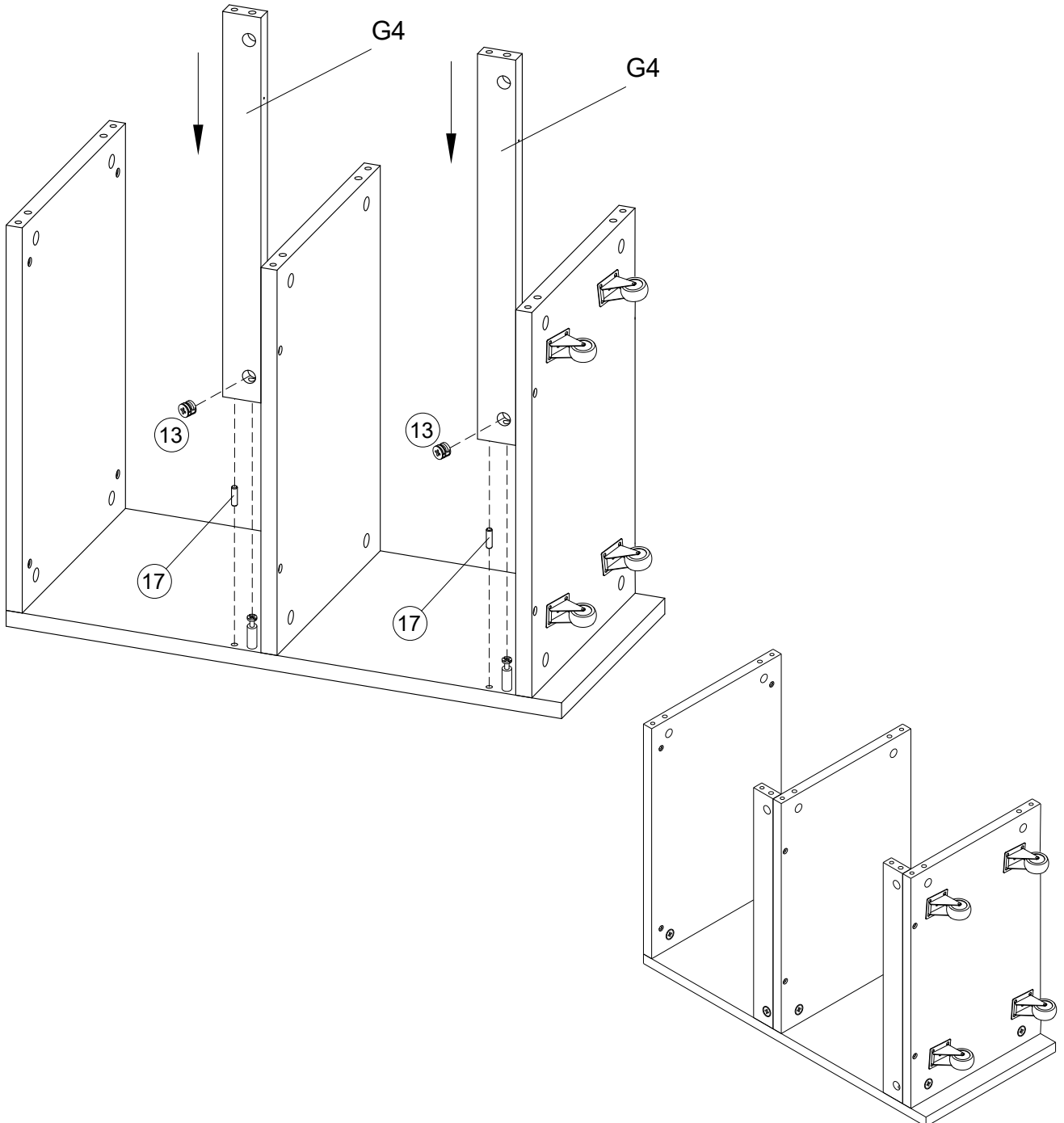
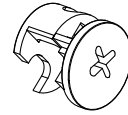


G4: Back Rail x2pcs

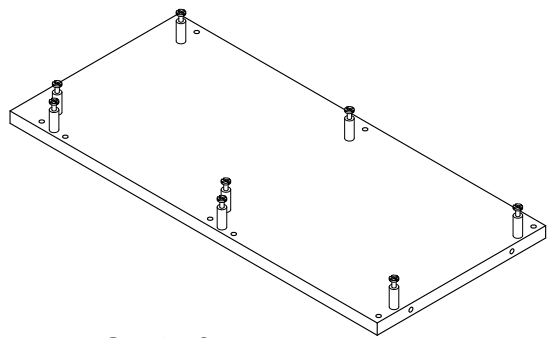
17 1-1/4" Wood dowel x2



13 Cam Lock x2



ASSEMBLY STEP 4 (SLIDING DESK)

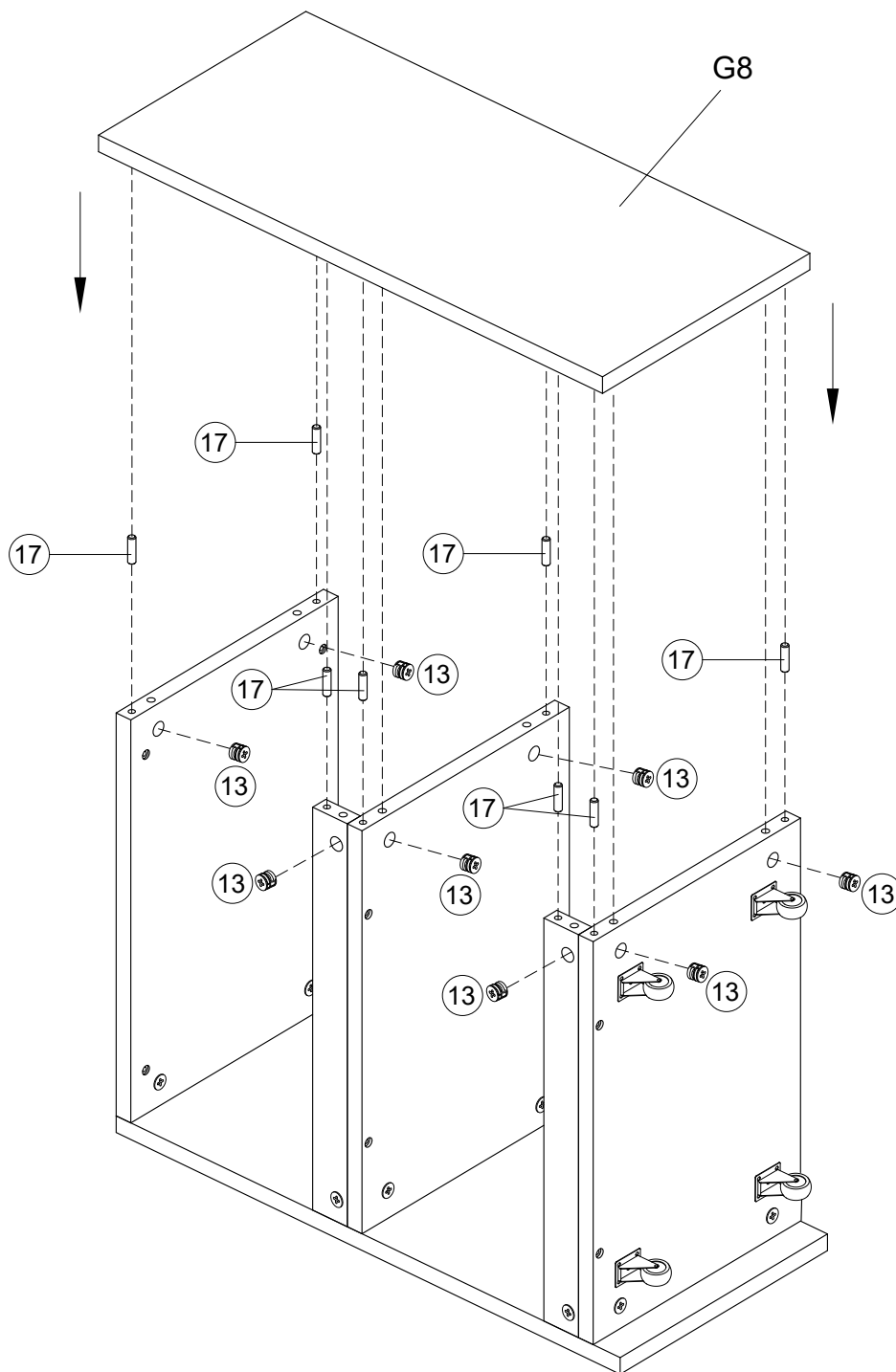
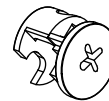


G8: Left Side Panel x1pc

17 1-1/4" Wood dowel x8

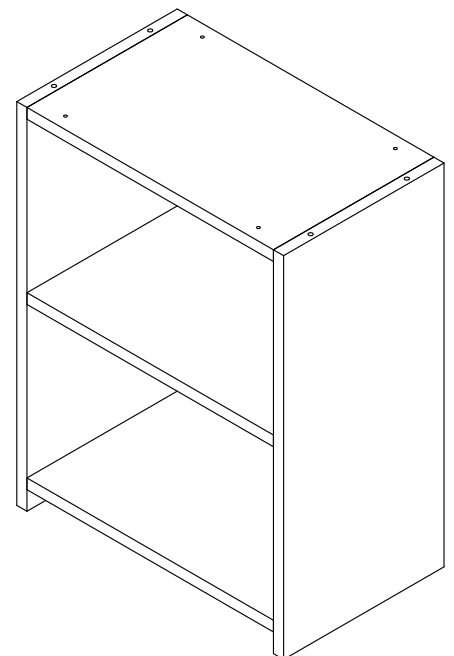
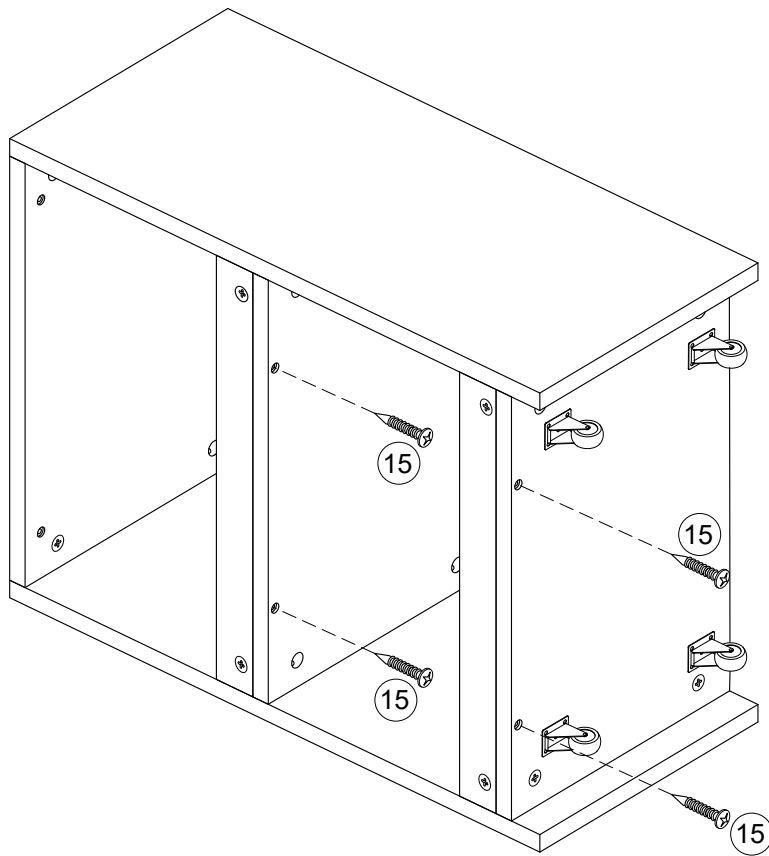
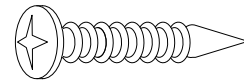


13 Cam Lock x8

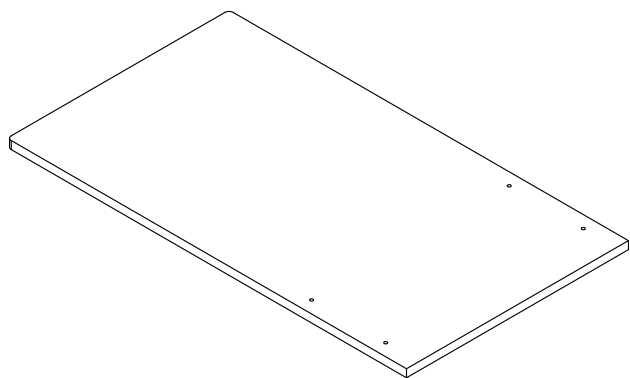


ASSEMBLY STEP 5 (SLIDING DESK)

15 1-1/4" Phillip Head Screw x4

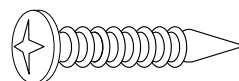


ASSEMBLY STEP 6 (SLIDING DESK)

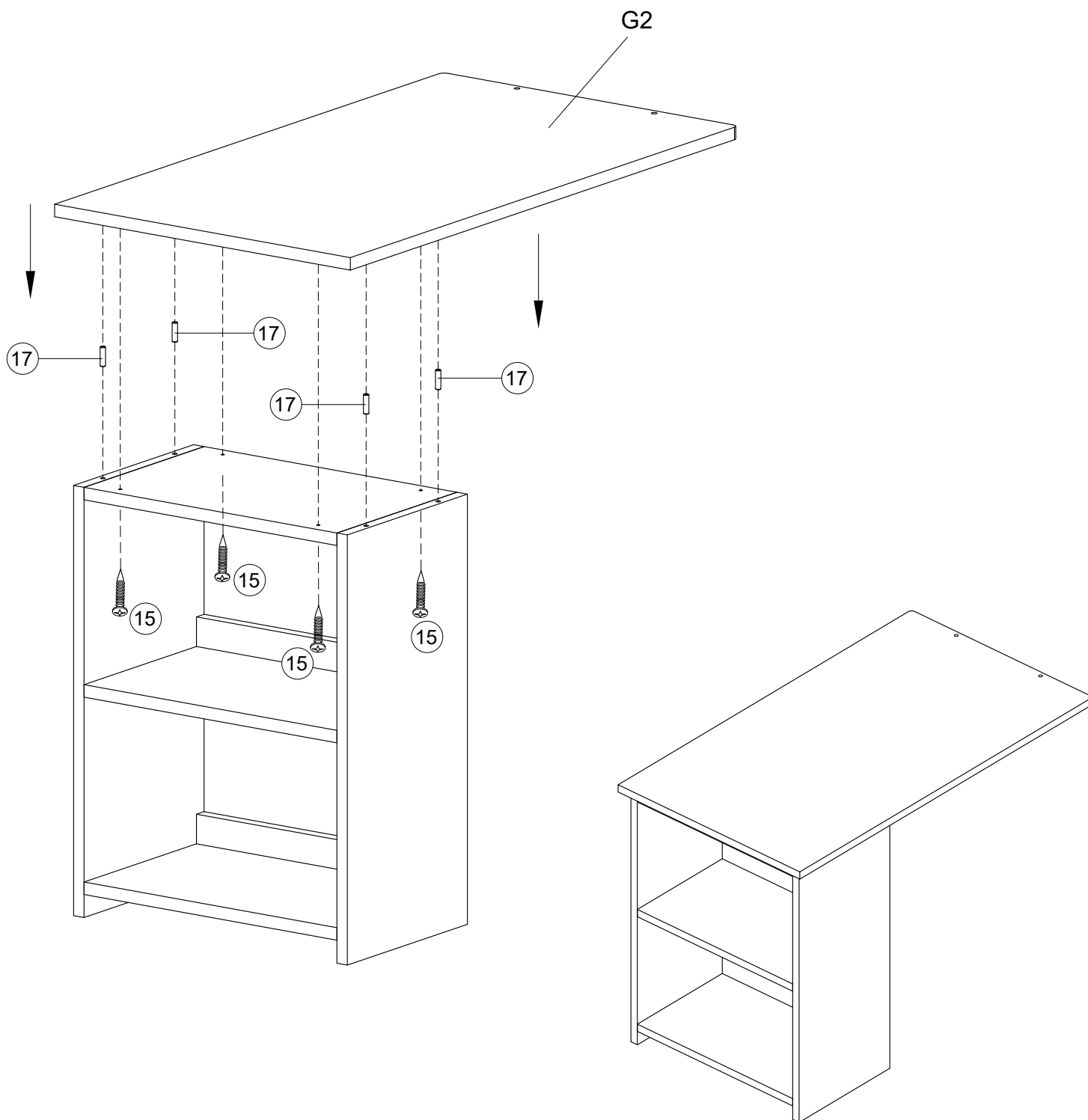


G2: Top Sliding Desk x1pc

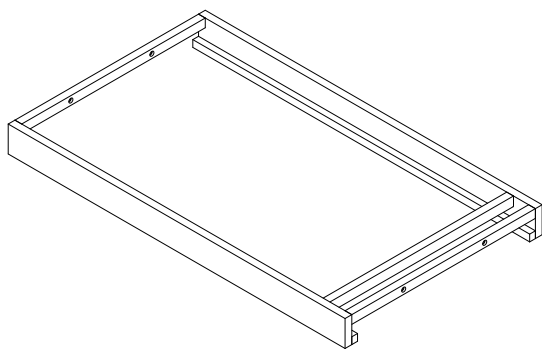
15 1-1/4" Phillip Head Screw x4



17 1-1/4" Wood dowel x4

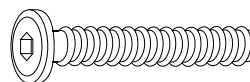


ASSEMBLY STEP 7 (SLIDING DESK)

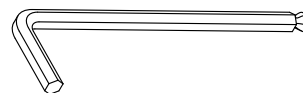


G3: Sliding Frame x1pc

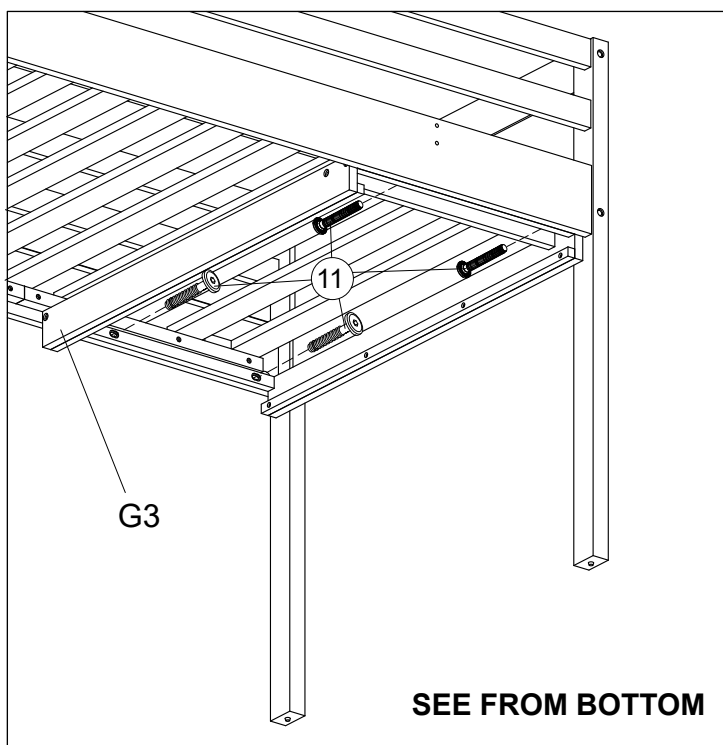
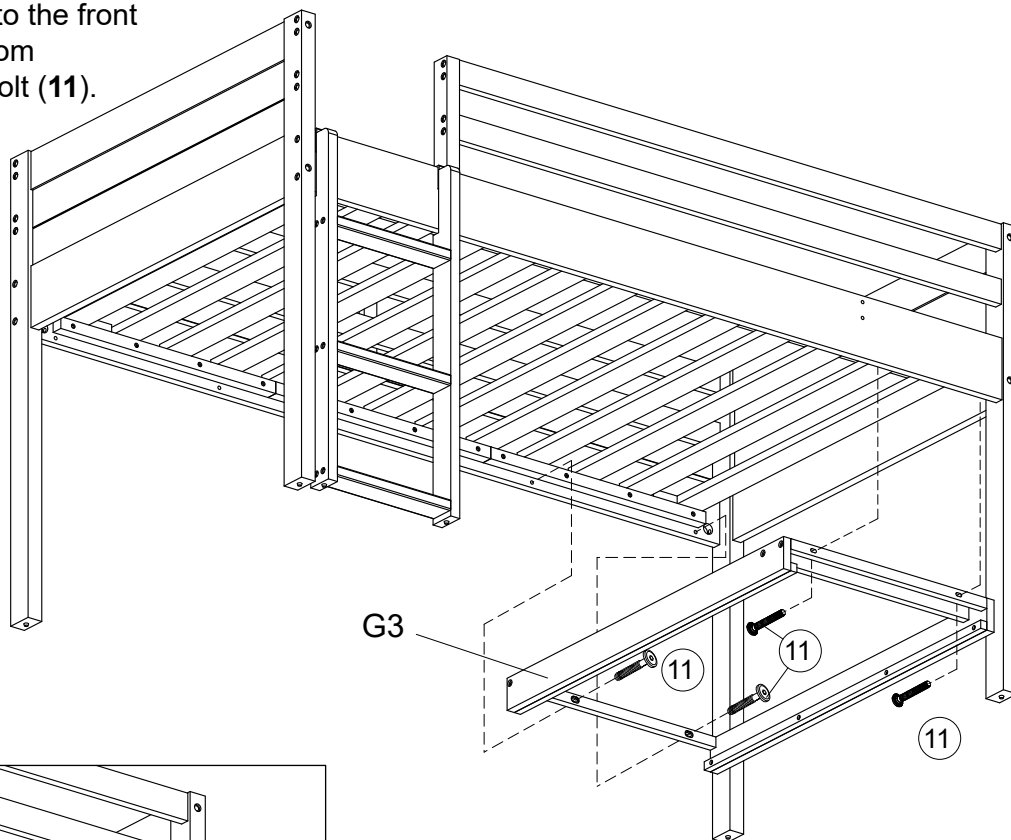
11 Ø1/4" x 1-1/4" Allen Head Bolt x4



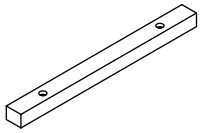
19 Allen Wrench x1



Attach the Sliding Frame (G3) to the front Side Rail and back Side Rail from bottom of the Loft Bed by the bolt (11).

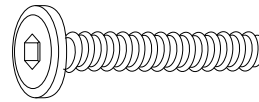


ASSEMBLY STEP 8 (SLIDING DESK)

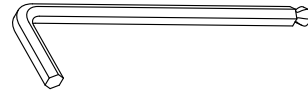


G1: Stopper Rail x1pc

11 Ø1/4" x 1-1/4" Allen Head Bolt x2

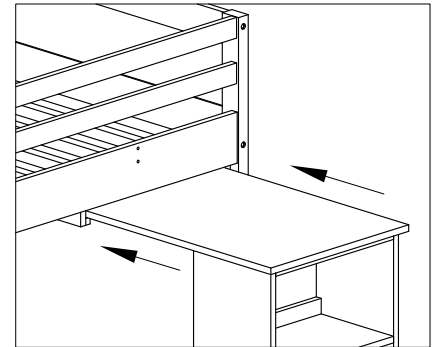
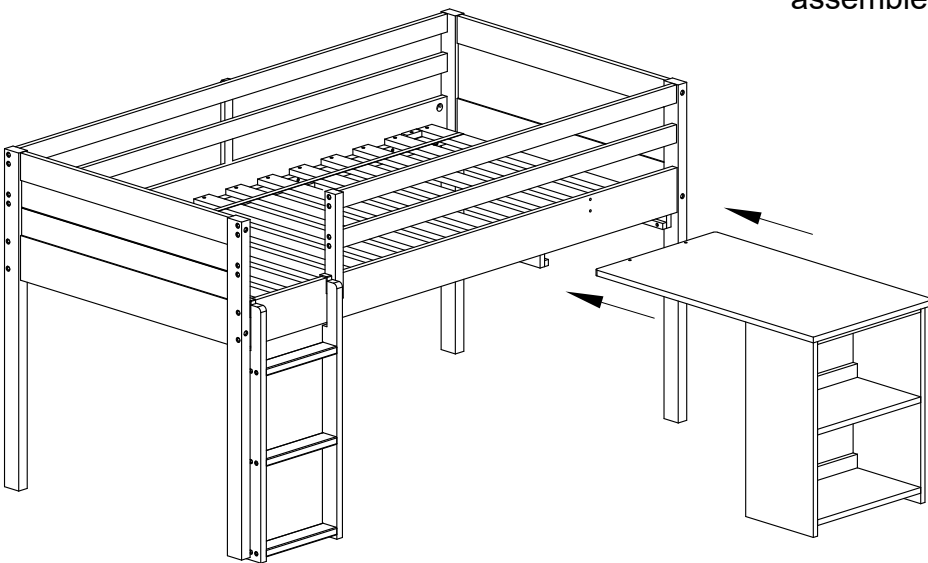


19 Allen Wrench x1

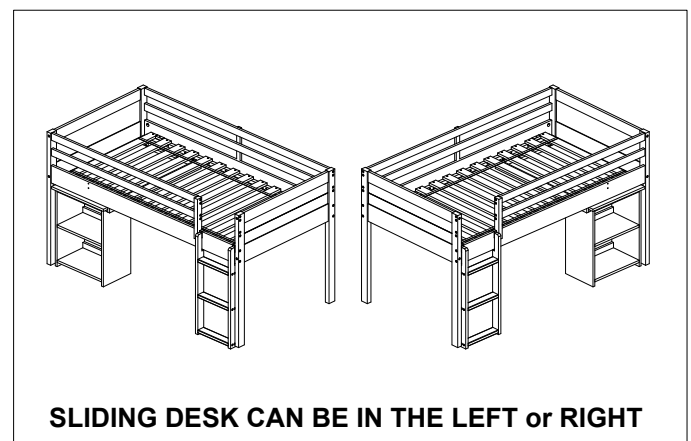
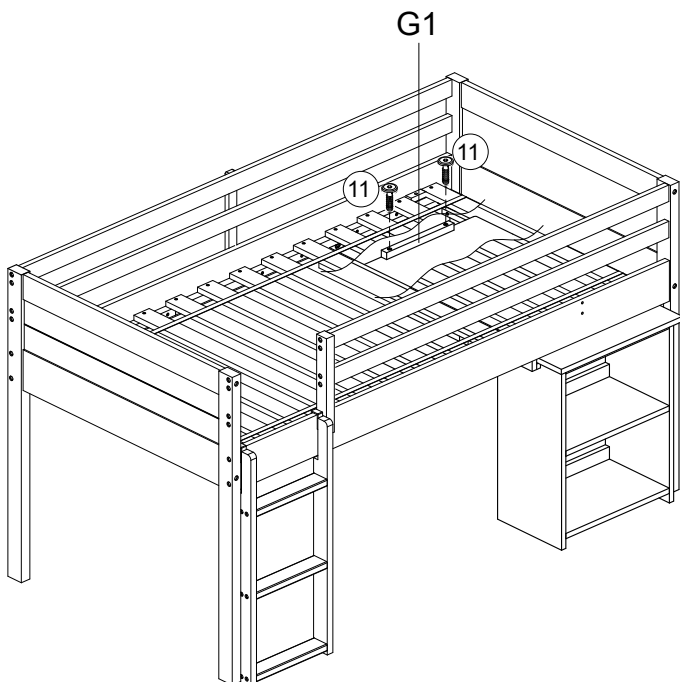


ASSEMBLY SLIDING DESK to the LOFT BED

Careful sliding the **Sliding Desk** into the sliding Frame (G3) assembled under the slats roll.

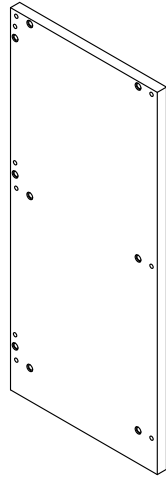
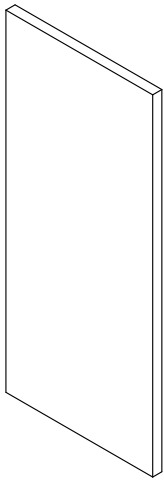


Attach Stopper Rail (G1) to the end of the Sliding desk panel by the bolts (11) after slid the Sliding Desk into the Loft Bed.



SLIDING DESK CAN BE IN THE LEFT or RIGHT

ASSEMBLY STEP 9 (HUTCH)

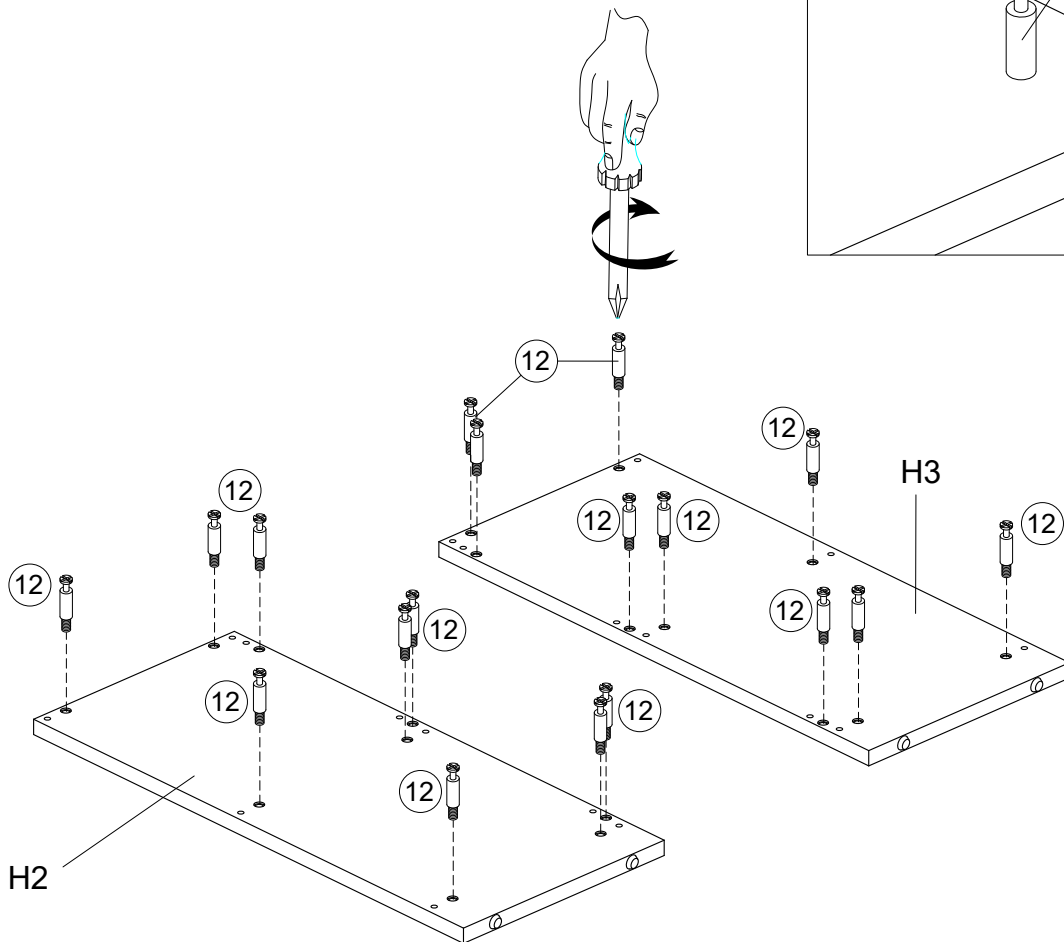
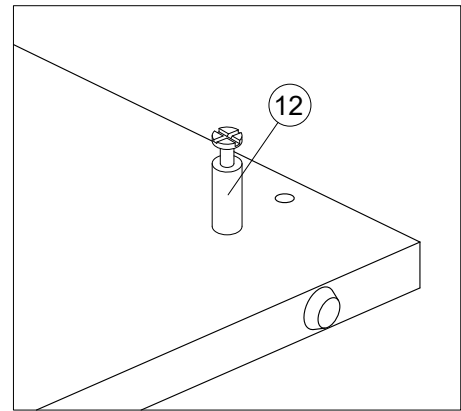


12 Cam Rods x18

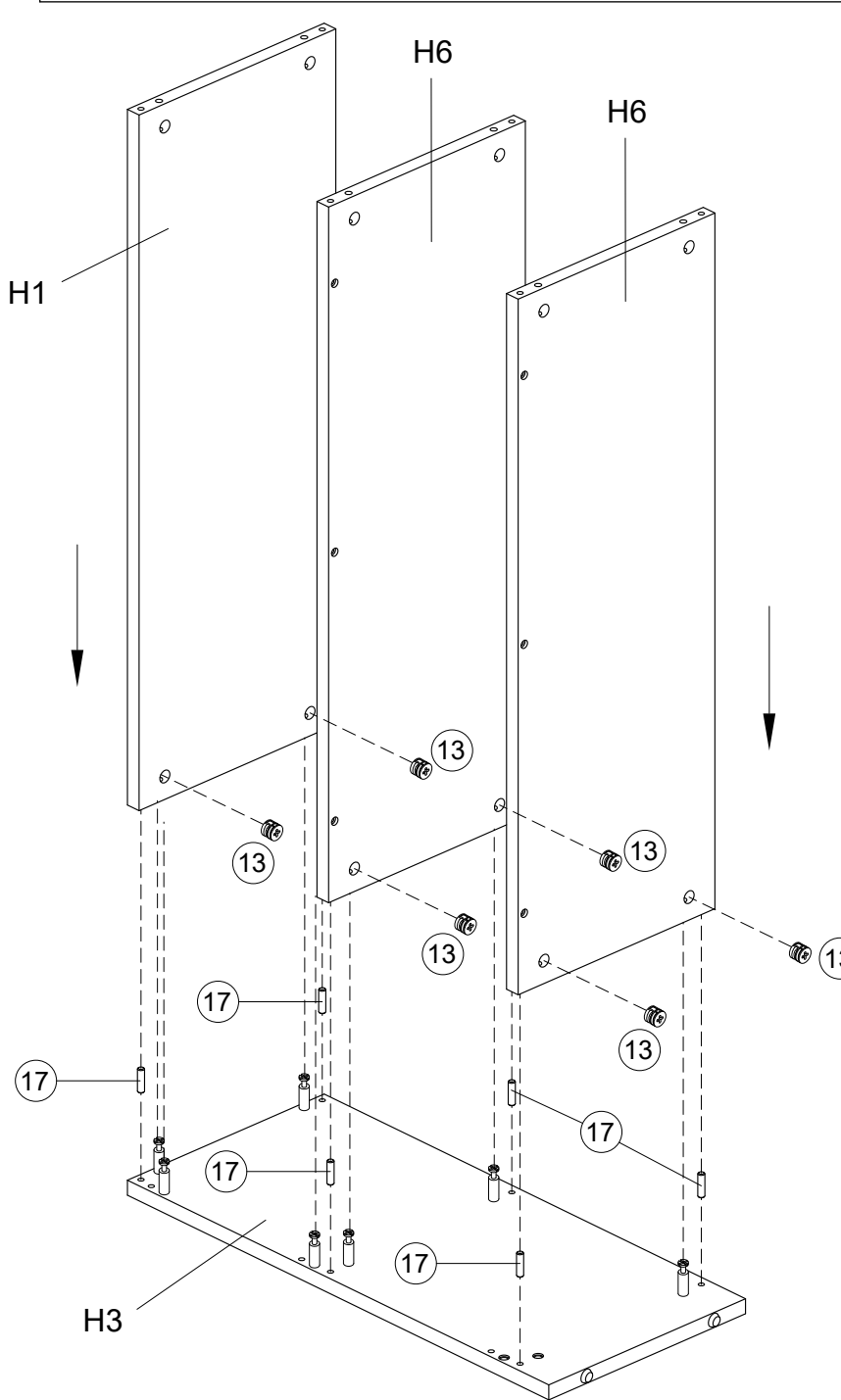
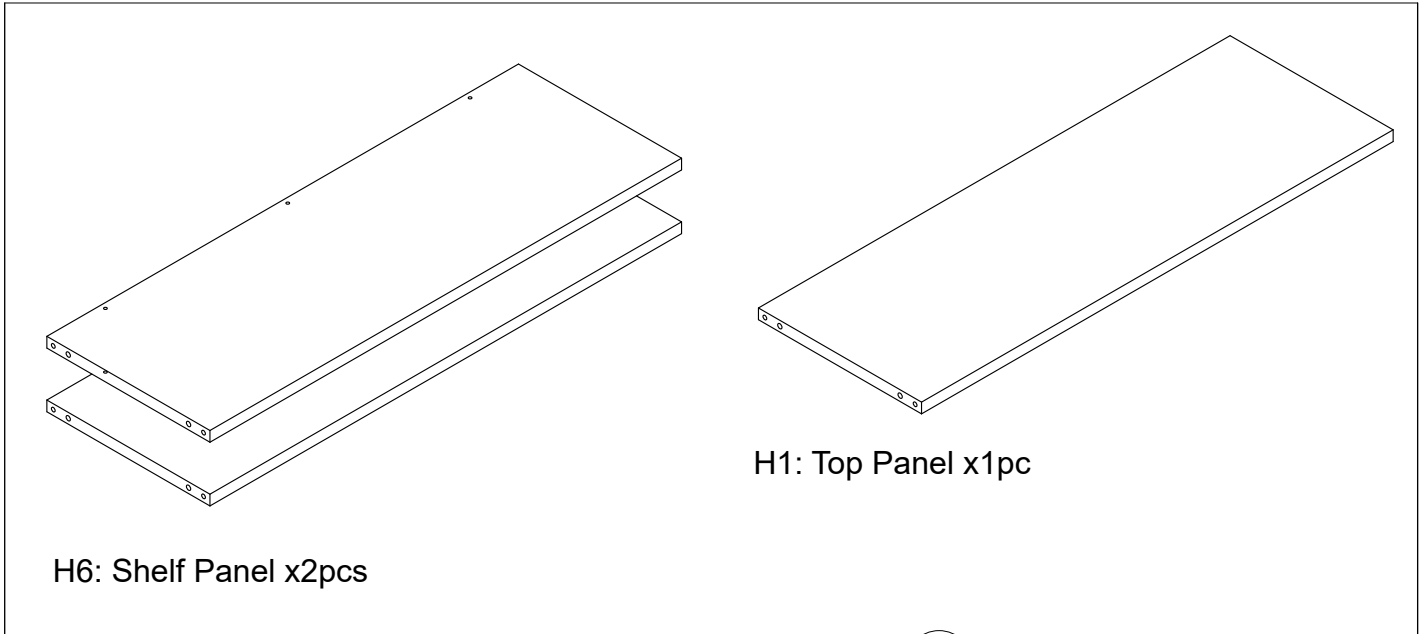


H2: Left Side Panel x1pc

H3: Right Side Panel x1pc



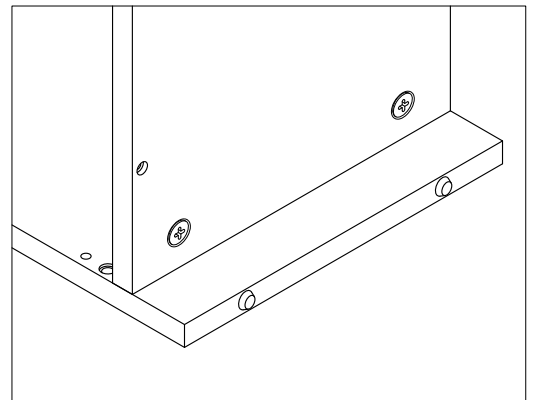
ASSEMBLY STEP 10 (HUTCH)



17 1-1/4" Wood dowel x6



13 Cam Lock x6

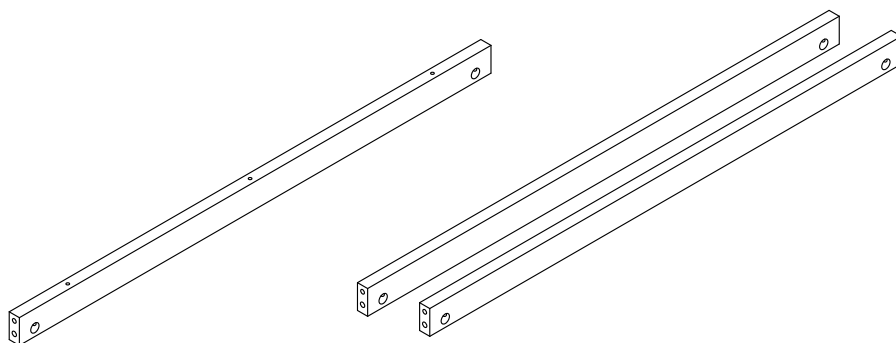
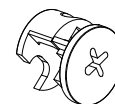


ASSEMBLY STEP 11 (HUTCH)

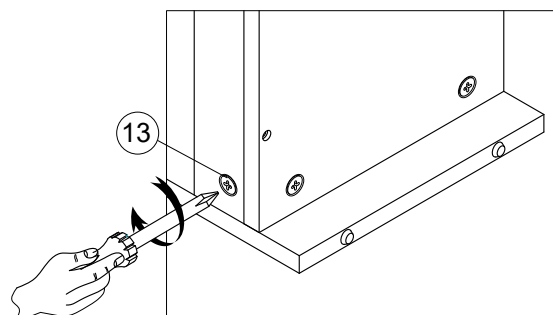
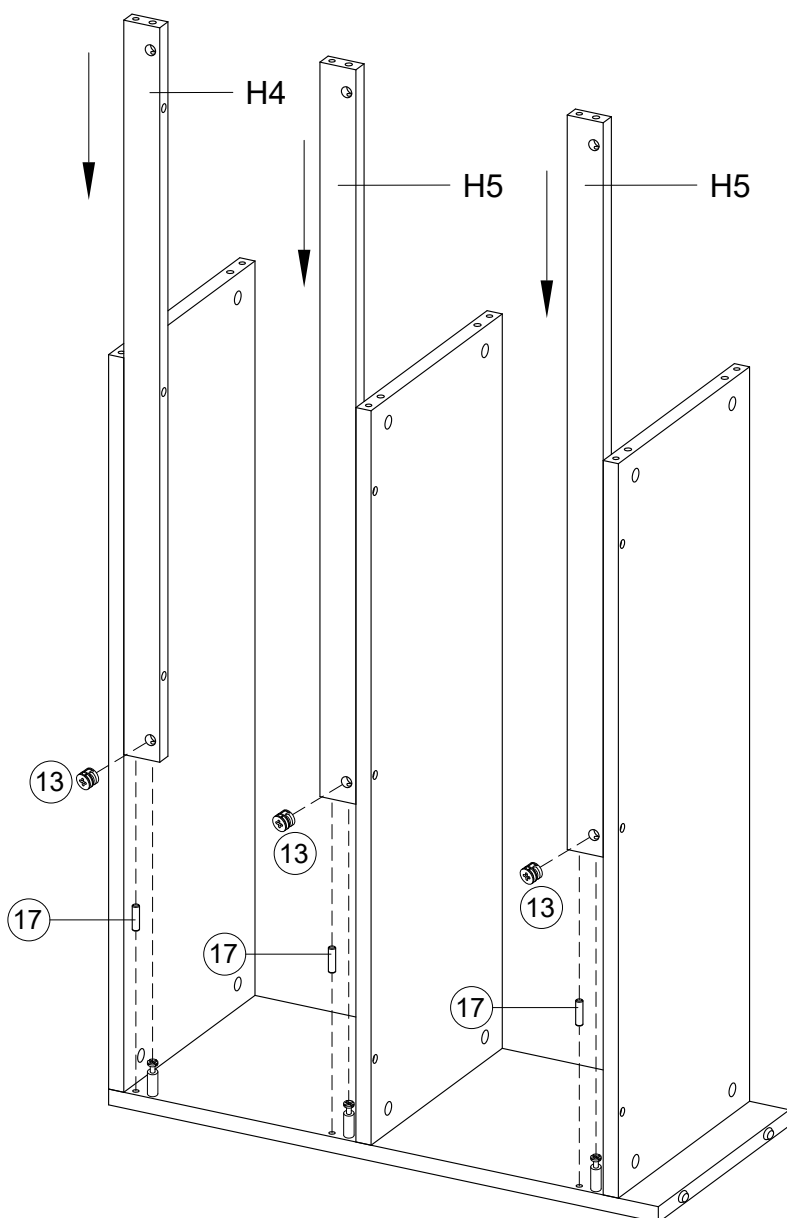
17 1-1/4" Wood dowel x3



13 Cam Lock x3



H4: Top Back Rail x1pc H5: Lower Back Rail x2pcs

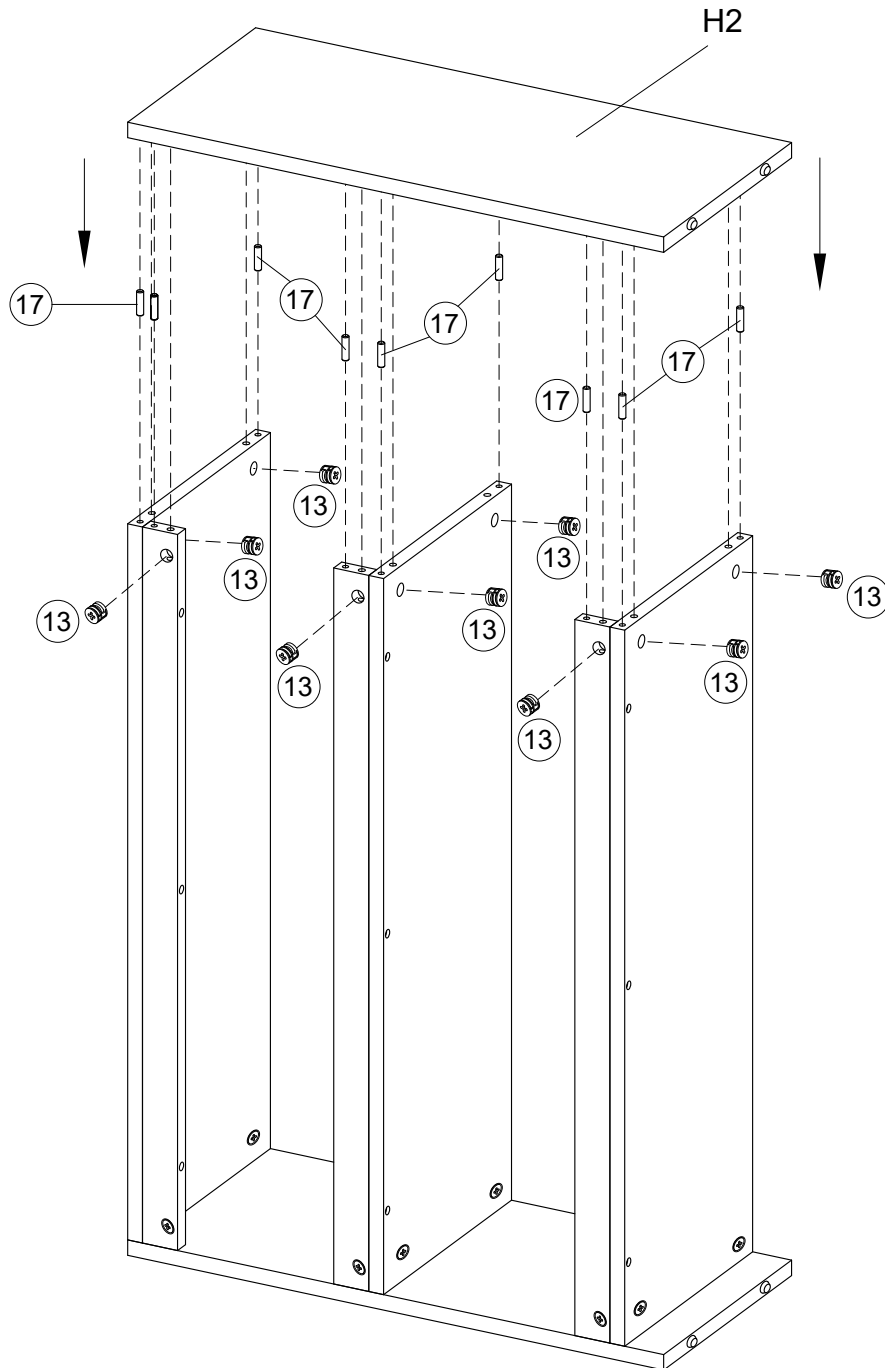
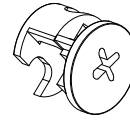


ASSEMBLY STEP 12 (HUTCH)

17 1-1/4" Wood dowel x9

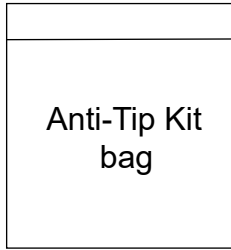


13 Cam Lock x9

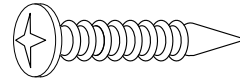


ASSEMBLY STEP 13 (HUTCH)

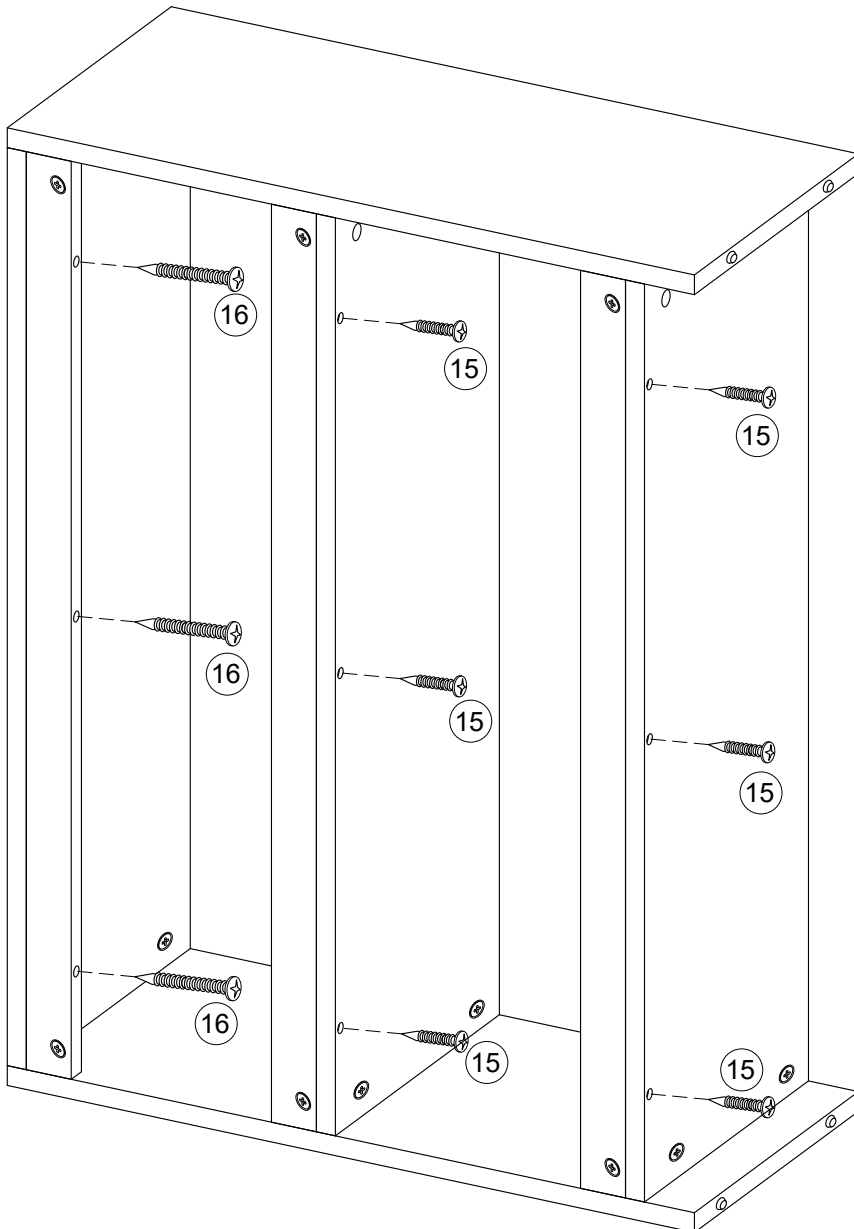
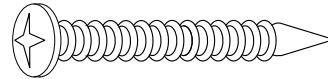
Anti-Tip Kit x1 bag (For Hutch)
(Instruction and Hardware inside)



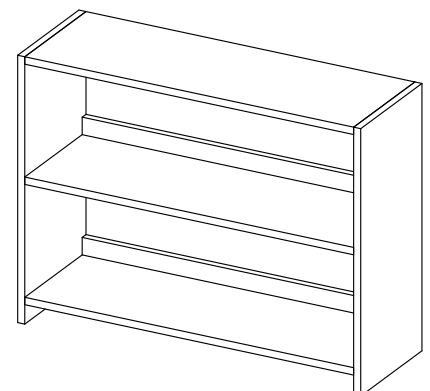
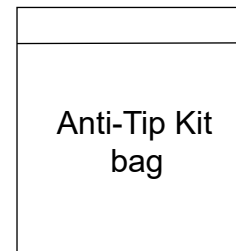
15 1-1/4" Phillip Head Screw x6



16 1-5/8" Phillip Head Screw x3



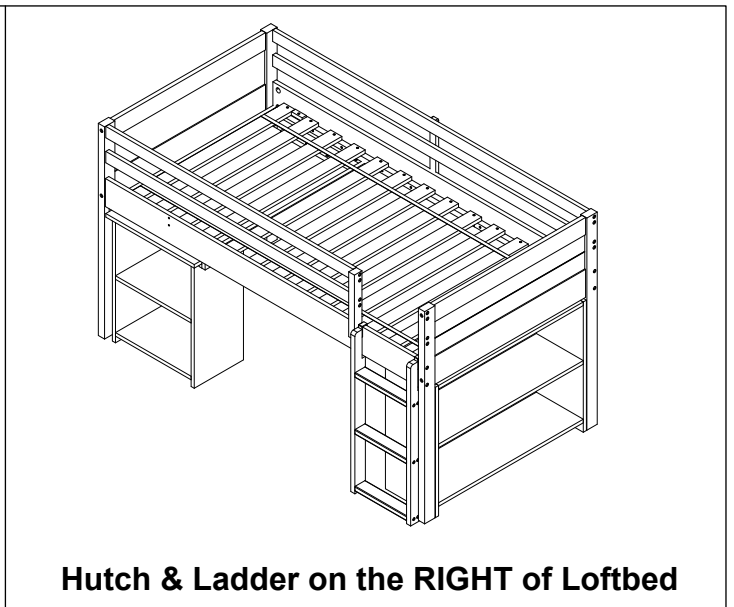
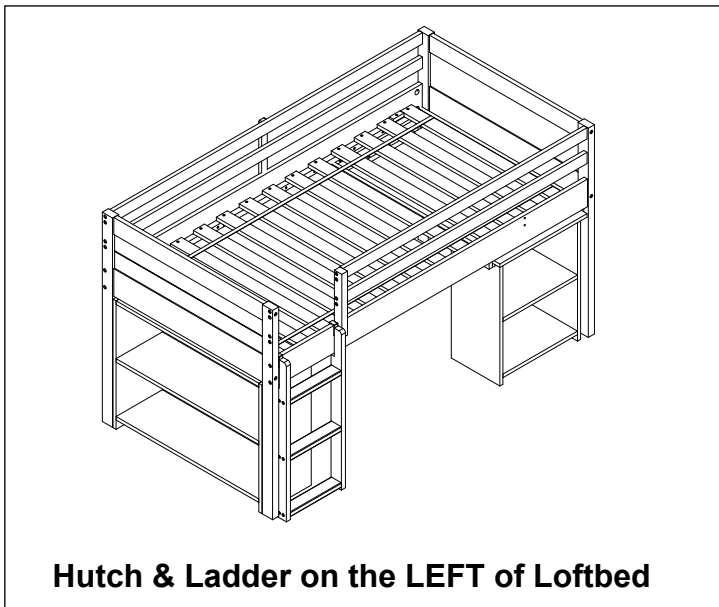
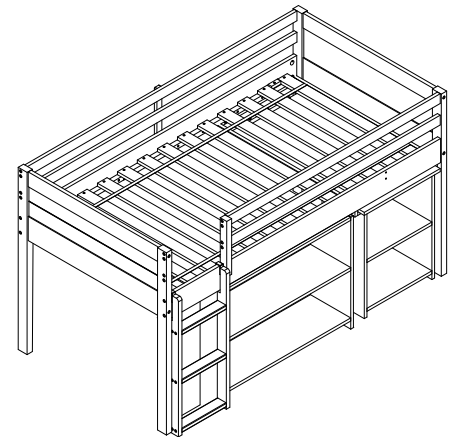
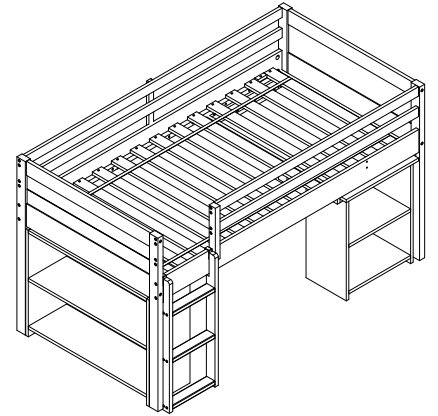
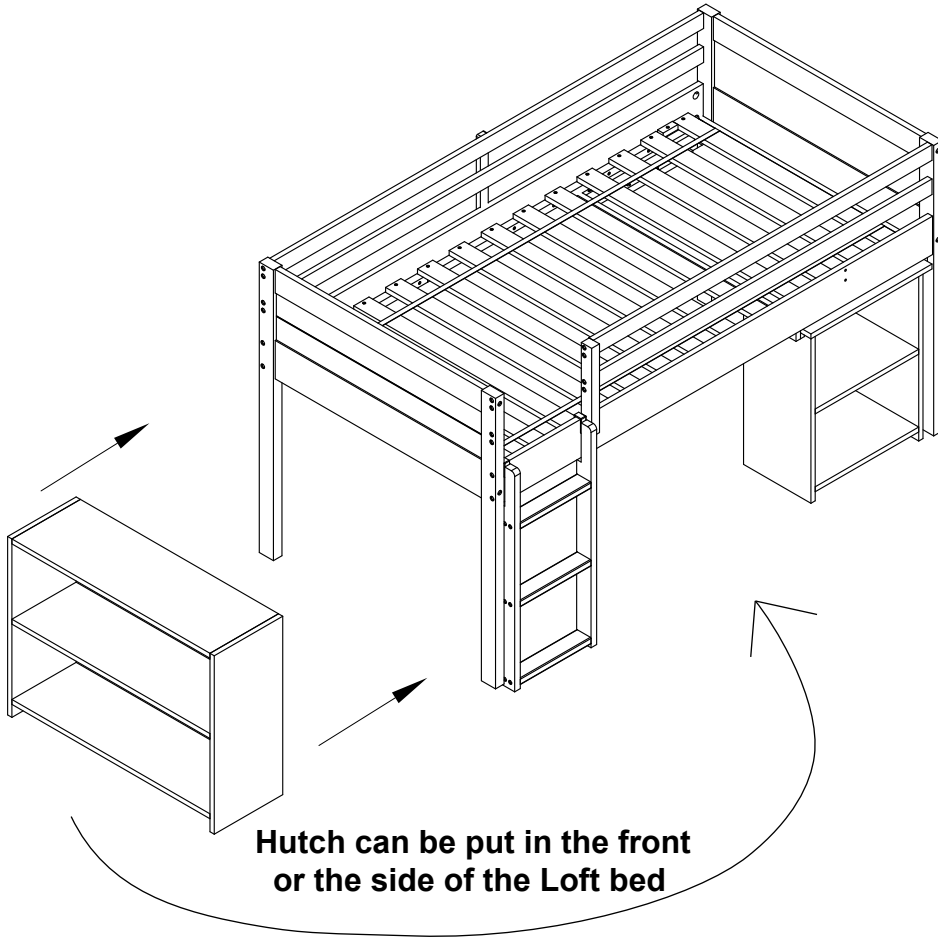
Anti-Tip Kit x1 bag (For Hutch)
(Instruction and Hardware inside)



Note: Please follow instructions in Anti-Tip Kit
if use this Hutch as a standalone Hutch.

ASSEMBLY STEP 14 (HUTCH)

ASSEMBLY HUTCH TO THE LOFT BED



Product Assistance Procedures

You have purchased a quality piece of furniture. Our International team has spent many hours designing and engineering this piece and packaging to ensure you will be satisfied with your purchase. But if for any reason you need help with your purchase please contact us at any time.

Procedures to follow should you have any questions:

Most inquiries can be answered by visiting our website. There, you can order parts, find assembly instructions, and get answers to frequently asked questions on all of our brands.

You can also email us. In order for us to provide you with the best service possible, please include the following information in your email:

1. Your Name
2. Address
3. Phone Number
4. Item Number and description of your product
5. PO#
6. Production Date

All product information will be on the product label located on the back of all dressers and other furniture, and on either the inside bottom of the headboard, crib ends, or stabilizer bar of your crib, depending on which model you have.

Someone will contact you via e-mail or phone to help you with your issues.

If you do not have internet access, you can fax your information to us.

If you do not have internet or fax access, please call us at our toll free number. Be sure to have all of the above information ready to give to your Customer Service Specialist.

Contact

U.S.A & CANADA

Bivona & Company®, LLC
701 Boutwell Rd, Suite A-3, Lake Worth Florida.
Toll Free: 1-888-963-8125
Fax: 1-561-421-0261
Zip code : 33461
Website: www.bivonaco.com
Email: info@bivonaco.com

Manufactured for and distributed in the United States & Canada by: Bivona & Company®, LLC
LLC 701 Boutwell Rd, Suite A-3, Lake Worth Florida.

MADE IN VIETNAM